

ISL432T8HEMV

Ballast Type: Electronic
Input Voltage: 120-277VAC ±10%
Input Frequency: 50/60 Hz.

Starting Method: Instant Start
Lamp Connection: Parallel
Unit Color: Black

Unit Weight: 1.4 lb.
Carton Quantity: 10
Skid Quantity: 880

ELECTRICAL SPECIFICATION:

| Line Voltage (V) | Lamp Type | Lamp Watts | No. of Lamps | Line Current (A) | Input Power (W) | Power Factor | Max Current THD (%) | Current Crest Factor | Ballast Factor | Wiring Diagram | B.E.F. |
|------------------|--------------|------------|--------------|------------------|-----------------|--------------|---------------------|----------------------|----------------|----------------|--------------|
| 120 | F32T8* | 32 | 4 | 0.92 | 109 | ≥0.99 | ≤10 | ≤1.7 | 0.88 | 047D | 0.81* |
| 277 | F32T8U* | | | 0.39 | 106 | ≥0.98 | ≤10 | ≤1.7 | 0.88 | 047D | 0.83* |
| 120 | F32T8/ES/30 | 30 | 4 | 0.87 | 104 | ≥0.99 | ≤10 | ≤1.7 | 0.88 | 047D | 0.85 |
| 277 | | | | 0.37 | 102 | ≥0.98 | ≤10 | ≤1.7 | 0.88 | 047D | 0.86 |
| 120 | F32T8/ES/28* | 28 | 4 | 0.83 | 100 | ≥0.99 | ≤10 | ≤1.7 | 0.88 | 047D | 0.88* |
| 277 | | | | 0.35 | 98 | ≥0.98 | ≤10 | ≤1.7 | 0.88 | 047D | 0.90* |
| 120 | F32T8/ES/25* | 25 | 4 | 0.75 | 89 | ≥0.99 | ≤10 | ≤1.7 | 0.88 | 047D | 0.99* |
| 277 | | | | 0.33 | 89 | ≥0.98 | ≤10 | ≤1.7 | 0.88 | 047D | 0.99* |
| 120 | F28T8* | 28 | 4 | 0.83 | 100 | ≥0.99 | ≤10 | ≤1.7 | 0.88 | 047D | 0.88* |
| 277 | | | | F28T8U* | 0.35 | 98 | ≥0.98 | ≤10 | ≤1.7 | 0.88 | 047D |
| 120 | F25T8 | 25 | 4 | 0.72 | 84 | ≥0.99 | ≤10 | ≤1.7 | 0.89 | 047D | 1.06 |
| 277 | | | | F25T8U | 0.31 | 83 | ≥0.98 | ≤10 | ≤1.7 | 0.89 | 047D |
| 120 | F17T8 | 17 | 4 | 0.49 | 59 | ≥0.99 | ≤10 | ≤1.7 | 0.92 | 047D | 1.56 |
| 277 | | | | F17T8U | 0.22 | 58 | ≥0.97 | ≤10 | ≤1.7 | 0.92 | 047D |
| 120 | F40T8 | 40 | 3 | 0.91 | 108 | ≥0.99 | ≤10 | ≤1.7 | 0.94 | 047D | 0.87 |
| 277 | | | | 0.39 | 106 | ≥0.99 | ≤10 | ≤1.7 | 0.94 | 047D | 0.89 |
| 120 | F32T8* | 32 | 3 | 0.76 | 91 | ≥0.99 | ≤10 | ≤1.7 | 0.98 | 047D | 1.08* |
| 277 | | | | F32T8U* | 0.33 | 89 | ≥0.98 | ≤10 | ≤1.7 | 0.98 | 047D |
| 120 | F32T8/ES/30 | 30 | 3 | 0.72 | 86 | ≥0.99 | ≤10 | ≤1.7 | 0.98 | 047D | 1.14 |
| 277 | | | | 0.31 | 85 | ≥0.98 | ≤10 | ≤1.7 | 0.98 | 047D | 1.15 |
| 120 | F32T8/ES/28* | 28 | 3 | 0.68 | 82 | ≥0.99 | ≤10 | ≤1.7 | 0.98 | 047D | 1.20* |
| 277 | | | | 0.30 | 81 | ≥0.98 | ≤10 | ≤1.7 | 0.98 | 047D | 1.21* |
| 120 | F32T8/ES/25 | 25 | 3 | 0.63 | 76 | ≥0.99 | ≤10 | ≤1.7 | 0.98 | 047D | 1.29 |
| 277 | | | | 0.27 | 75 | ≥0.98 | ≤10 | ≤1.7 | 0.98 | 047D | 1.31 |
| 120 | F28T8* | 28 | 3 | 0.68 | 82 | ≥0.99 | ≤10 | ≤1.7 | 0.98 | 047D | 1.20* |
| 277 | | | | F28T8U* | 0.30 | 81 | ≥0.98 | ≤10 | ≤1.7 | 0.98 | 047D |
| 120 | F25T8 | 25 | 3 | 0.62 | 74 | ≥0.99 | ≤10 | ≤1.7 | 1.01 | 047D | 1.36 |
| 277 | | | | F25T8U | 0.26 | 73 | ≥0.98 | ≤10 | ≤1.7 | 1.01 | 047D |
| 120 | F17T8 | 17 | 3 | 0.44 | 53 | ≥0.99 | ≤10 | ≤1.7 | 1.04 | 047D | 1.96 |
| 277 | | | | F17T8U | 0.19 | 53 | ≥0.96 | ≤10 | ≤1.7 | 1.04 | 047D |

*Meets NEMA Premium/CEE Standards for Energy Efficiency

PERFORMANCE:

- High efficiency electronic ballast
- Instant Start
- Parallel operation
- High power factor
- Anti-Striation
- Encased and potted
- Sound rated A
- Internal surge protection
- Meets ANSI standard C82.11 and ANSI standard C62.41
- Meets FCC Part 18 (Class A) EMI and RFI non-consumer limits

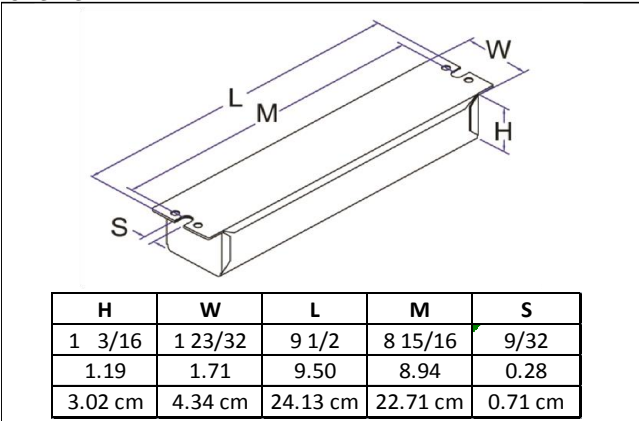
APPLICATION:

- Maximum case temperature: 167°F/75°C
- Maximum ambient temperature: 104°F/40°C
- Minimum starting temperature Std. lamps: 0°F/-18°C
- Minimum starting temperature ES lamps: 60°F/16°C
- Minimum starting temperature F40T8: 32°F/0°C
- Lamp starts: >15,000 starts
- Remote mounting: 18 ft.

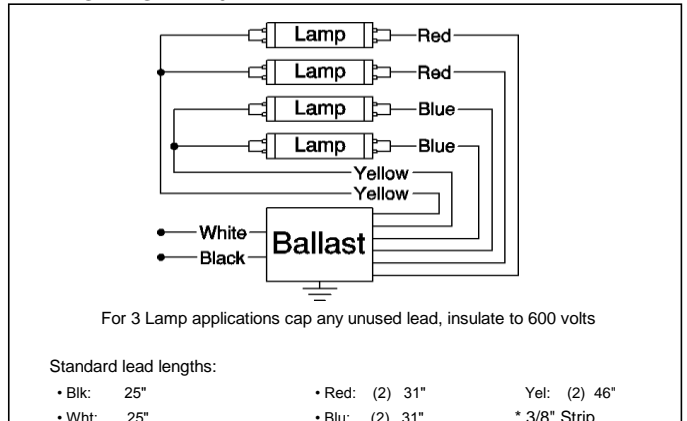
SAFETY:

- UL/935 (Class P, Type HL, Type 1 outdoor) listed
- CSA certified (cUL)
- Inherent Thermal Protection
- RoHS Compliant
- No PCB's

CASE STYLE: 12F



WIRING DIAGRAM: 047D



WARRANTY:

Robertson Worldwide warrants to the purchaser that this ballast will be free from defects in material or workmanship for a period of 5 years from date of manufacture when properly installed and under normal conditions of use. For more information on Robertson Lighting products, visit www.robertsondirect.com. Specifications subject to change without notice.

Revised 7/3/2014