



## PRODUCT FEATURES

- ANSI Designation: M136
- Line Voltage: 120/208/240/277
- Regulation: 10%
- Frequency: 60 Hz
- Recommended Fuse (A): 5/3/3/2
- Circuit Type: CWA
- Insulation Class: 180°C
- Capacitor Value: 15 MF
- Capacitor Voltage Rating: 330 V
- Capacitor Temperature Rating: 90°C
- Winding Materials: Cu/Cu
- Lamp Starter: XG-04
- Agency Certification: RU, cRU
- Maximum Distance to Lamp: N/A
- 2 Year Warranty

**LAMP TYPE:** 200W MH-PS

**INPUT VOLTAGE:** Quad Tap (120/208/240/277)

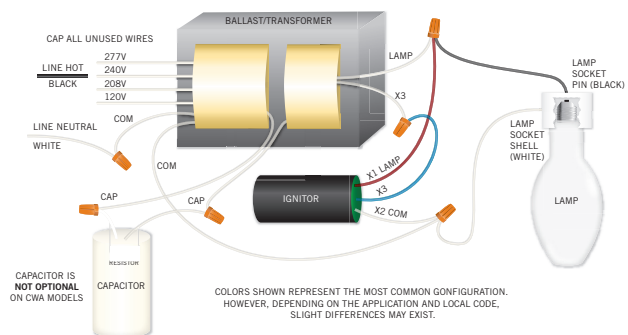
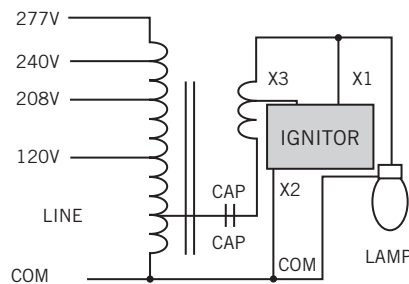
**CIRCUIT TYPE:** CWA

## ELECTRICAL SPECIFICATIONS

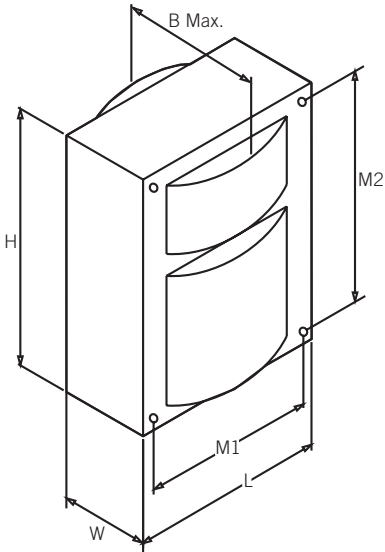
LINE VOLT (V)	POWER FACTOR	LINE CURRENT			INPUT POWER (W)	OPEN CIRCUIT VOLTAGE (V)	MINIMUM START TEMP	UL TEMP CODE	WIRING DIAGRAM
		OPERATING	OPEN	START					
120	High	2.00	1.79	1.24	234	248	-30°C	B	H3
208	High	1.51	1.03	0.75	234	248	-30°C	B	H3
240	High	0.97	0.89	0.63	234	248	-30°C	B	H3
277	High	0.86	0.78	0.54	234	248	-30°C	A	H3

## WIRING DIAGRAMS

**DIAGRAM H3**



## CASE STYLE/DIMENSIONS



### OVERALL DIMENSIONS

LENGTH: 2.80"
WIDTH: 2.42"
HEIGHT: 3.94"
B MAX: 3.86"

### MOUNTING HOLES

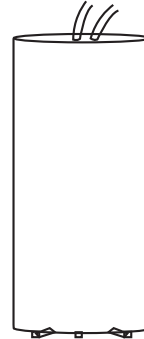
DIAMETER: 0.25"
M1: 2.44"
M2: 3.50"

### BRACKET DIMENSIONS

LENGTH: 5.50"
WIDTH: 1.25"

**LEAD LENGTH:** 12-14"

**BALLAST NET WEIGHT:** 7.28 lbs



### CAPACITOR INFO

WATTAGE: 200
MICROFARAD: 15
VOLTAGE: 330V
TYPE: Dry Film



### IGNITOR INFO

LAMP TYPE: Pulse Start Metal Halide
WATTAGE: 200
TYPE:

## ORDERING INFORMATION

ORDER CODE	PACKAGING STYLE	PACK QTY.	ITEM STATUS
MPS-200A-Q-KIT		1	Quick Ship
*Kit Includes: Pre-Wired Ballast, Capacitor, Ignitor, Mounting Brackets, Mounting Hardware			

## CATALOG NUMBER BREAKDOWN

# MPS-200A-Q-KIT

Pulse Start  
Metal Halide

Input  
Power

CWA  
Circuit

120/208/  
240/277  
QuadTap

HID  
Replacement  
Kit