

## PSA239T5MV

Ballast Type: Electronic  
Input Voltage: 120 thru 277VAC ±10%  
Input Frequency: 50/60 Hz.

Starting Method: Programmed  
Lamp Connection: Series  
Unit Color: Galvanized

Unit Weight: 1.05 lb.  
Carton Quantity: 40  
Skid Quantity: 1200

### ELECTRICAL SPECIFICATION:

Line Voltage (V)	Lamp Type	Lamp Watts	No. of Lamps	Line Current (A)	Input Power (W)	Power Factor	Max THD (%)	Current Crest Factor	Ballast Factor	Wiring Diagram	B.E.F.
120	F39T5HO	39	2	0.66	79	≥0.99	≤10	≤1.4	1.00	015C	1.27
277				0.29							
120	F24T5HO	24	2	0.44	53	≥0.99	≤10	≤1.4	1.12	015C	2.11
277				0.19							
120	FT36W/2G11	36	2	0.58	71	≥0.99	≤10	≤1.4	0.95	015C	1.34
277				0.26							
120	FT24W/2G11	24	2	0.44	53	≥0.99	≤10	≤1.4	1.05	015C	1.98
277				0.20							1.94
120	FC12T5	40	2	0.66	79	≥0.99	≤10	≤1.4	0.96	015C	1.22
277				0.29							
120	FC9T5	22	2	0.43	51	≥0.98	≤10	≤1.5	1.02	015C	2.00
277				0.19							1.96
120	FC9T5 & FC12T5	22 & 40	2	0.55	68	≥0.99	≤10	≤1.4	1.00	015C	1.47
277				0.24							1.49
120	F39T5HO	39	1	0.35	42	≥0.99	≤10	≤1.4	1.05	003	2.50
277				0.16							2.44
120	F24T5HO	24	1	0.24	29	≥0.99	≤10	≤1.4	1.15	003	3.97
277				0.11							
120	FT40W/2G11/RS	40	1	0.39	46	≥0.99	≤10	≤1.4	1.18	003	2.57
277				0.18							2.51
120	FT36W/2G11	36	1	0.31	37	≥0.99	≤10	≤1.4	0.98	003	2.65
277				0.14							2.58
120	FT24W/2G11	24	1	0.24	29	≥0.99	≤10	≤1.4	1.00	003	3.45
277				0.12							3.33
120	FC12T5	40	1	0.35	42	≥0.99	≤10	≤1.4	1.00	003	2.38
277				0.16							
120	FC9T5	22	1	0.24	29	≥0.98	≤10	≤1.5	1.15	003	3.97
277				0.11							3.83

#### PERFORMANCE:

- High efficiency electronic ballast
- Program start
- Series operation
- High power factor
- Encased & potted
- Sound rated A
- End of Lamp Life protection
- Internal surge protection
- Meets FCC Part 18 (Class A) for EMI and RFI non-consumer limits
- Meets ANSI standard C82.11
- Meets ANSI standard C62.41

#### APPLICATION:

- Maximum case temperature: 194°F/90°C
- Maximum ambient temperature: 104°F/40°C
- Minimum starting temperature: 0°F/-18°C
- Not recommended for extreme temperature variations
- Lamp starts: >50,000 starts
- Remote mounting: 18 ft.

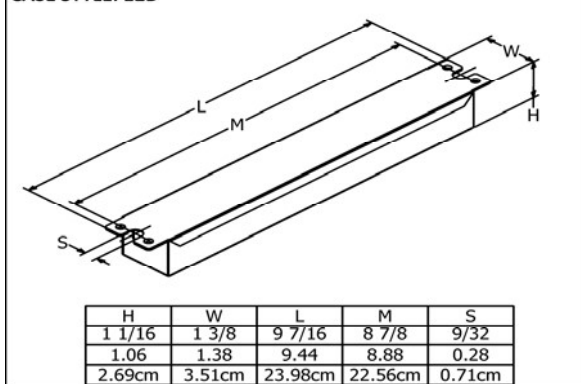
#### SAFETY:

- UL/935 (Class P, Type HL, Type CC, Type 1 outdoor) listed
- CSA certified (cUL)
- RoHS Compliant
- No PCB's

#### U.S. Patent Numbers:

6,366,032 B1 ; 6,420,838 B1 ; 5,436,529

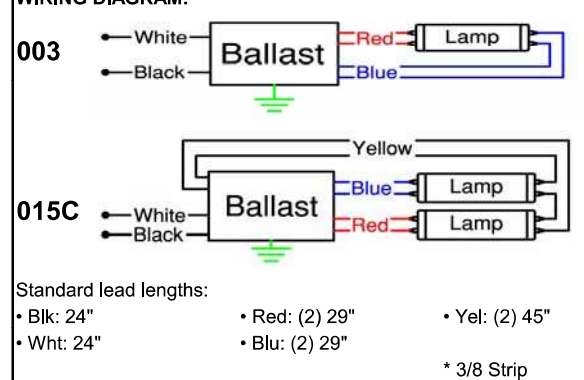
#### CASE STYLE: 12D



#### WARRANTY:

Robertson Worldwide warrants to the purchaser that this ballast will be free from defects in material or workmanship for a period of five years for operation at a maximum case temperature of 75°C or three years for operation at a maximum case temperature of 90°C from date of manufacture when properly installed and under normal conditions of use. For more information on Robertson Worldwide products, refer to our complete warranty statement at [www.robertsonww.com](http://www.robertsonww.com). Specifications subject to change without notice. 3/23/2012.

#### WIRING DIAGRAM:



#### ROBERTSON WORLDWIDE

13611 Thornton Rd, Blue Island, IL 60406, TEL: 1-800-323-5633, FAX: 1-877-388-2420, [www.robertsonww.com](http://www.robertsonww.com)