

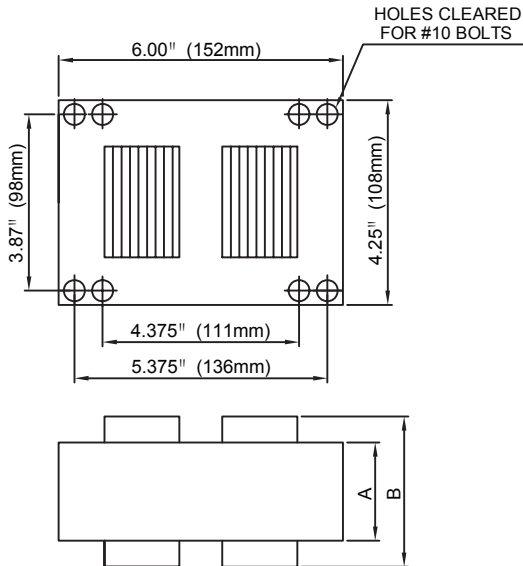


**CATALOG NUMBER: BALU1000-CWA/V4**

**1000W S52**

**High Pressure Sodium Lamp Ballast  
60 Hz CWA**

**4X6 CORE - HX, CWA CWI UNITS**



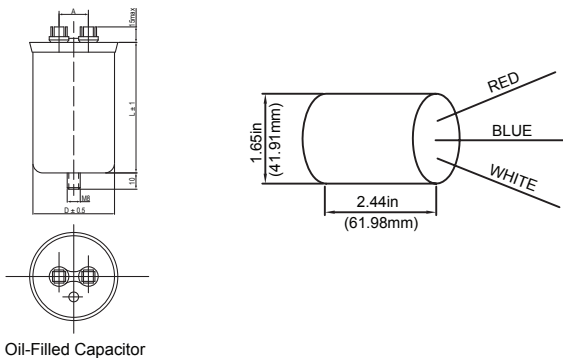
Input Volts		120	208	240	277
Circuit Type	CWA				
<b>REGULATION</b>					
Line Volts	±10%				
Lamp Watts	±14%				
<b>LINE CURRENT( Amps )</b>					
Operating		9.50	5.50	4.75	4.20
Open Circuit		4.80	2.75	2.40	2.05
Starting		7.20	4.15	3.60	3.10
<b>RECOMMENDED FUSE (Amps)</b>					
		25	15	12	10
<b>TEMPERATURE RATINGS</b>					
Insulation Class	H				
Coil Temperature Code		C	B	C	C
Benchtop Coil Rise		83.8	77.8	81.8	80.5
Power Factor (Min)	90%				
Input Watts	1100 W				
Efficiency					
<b>CURRENT CREST FACTOR</b>					
	1.65				
<b>NOM. OPEN CIRCUIT VOLTAGE</b>					
	425				
<b>INPUT VOLTAGE AT LAMP DROPOUT</b>					
		95	170	190	220
<b>MIN AMBIENT STARTING TEMP</b>					
	-40°F/-40°C				

**Capacitor:**

Microfarads: 26.0 uf  
 Volts (Max): 540 V  
 Case Temp(Max): 100°C  
 D: 1.97 in  
 L: 3.94 in  
 A: 0.79 in

**Ignitor:**

Case Temp (Max): 105°C  
 BTL Distance (Max): 15 ft

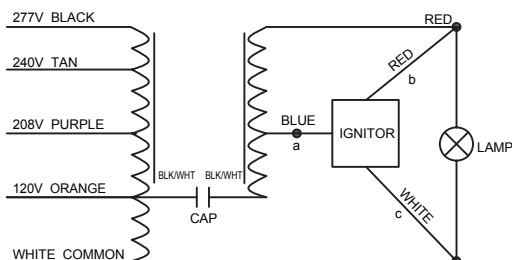


<b>60 HZ TEST PROCEDURES</b>					
<b>High Potential Test (Volts)</b>					
1 Minute		2,000 V			
1 Second		2,400 V			
Open Circuit Voltage Test (V)		380 - 470			
<b>Short Circuit Current Test (A)</b>					
Secondary Current	Min	6.20			
	Max	7.60			
Input Current	Min	5.20	3.15	2.60	2.35
	Max	8.20	4.80	4.10	3.55

<b>CORE and COIL Specifications</b>					
Dimension A (in)		4.33			
Dimension B (in)		6.33			
Weight (lbs)		27.0			
Lead Lengths (in)		12			

<b>CAPACITOR REQUIREMENT</b>					
Microfarads		26.0 uf			
Volts (Min)		525 V			

**Wiring Diagram:**



**ORDERING INFORMATION**

The ballast is prewired comes with a kit including capacitor, ignitor and bracket.

Data is based upon tests performed by Plusrite in a controlled environment and is representative of relative performance. Actual performance can vary depending on operating conditions. Specifications are subject to change without notice.

Coil material: Al/Al