

Project:	
Type:	
Catalog #:	



STANDARD



ILLUMINATION

- Two, 6V/12V adjustable bi-pin halogen lamp heads.

ELECTRICAL

- Dual 120V/277 voltage.
- Charge rate/power "ON" LED indicator light and push-to-test switch for mandated code compliance testing.
- LVD (low voltage disconnect) prevents battery from deep discharge.
- 6V Sealed lead acid, maintenance-free, rechargeable battery.
- Internal solid-state transfer switch automatically connects the internal battery to lamp heads for minimum 120-minute emergency illumination.
- Fully automatic solid-state, two rate charger initiates battery charging to recharge a discharged battery in 24 hours.
- Remote capacity of 26W and 76W available on 50W and 100W models respectively.

MOUNTING

- Knockouts on the back for wall mount.
- Side and top knockouts for conduit feed applications.

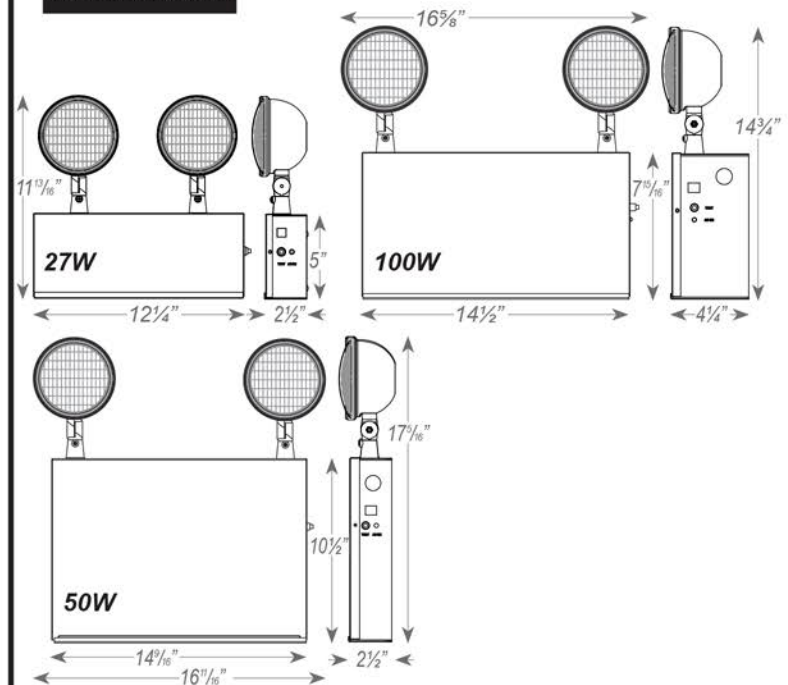
HOUSING

- Durable 20-gauge steel construction.
- Neutral white or black finish.

WARRANTY / LISTING

- Five year warranty on all electronics and housing. Battery pro rated for two years.
- UL Listed for damp locations (20°C – 50°C standard).
- Meets UL924, NFPA 101 Life Safety Code, NEC, OSHA, Local and State Codes.
- Meets city of Chicago requirements.

DIMENSIONS



ORDERING INFORMATION

Sample Part Number: CADXR-27

Notes:

- Available in 27 watt only.
- Not available in 27 watt.

MODEL	VOLTAGE		WATTS (for 120 mins.)		HOUSING COLOR	
CADXR	Blank	6V ¹	27	27	Blank	White
		6V ²	5	50	B	Black
		12V ²	10	100		

Project:	
Type:	
Catalog #:	

ELECTRICAL INFORMATION

CATALOG NUMBER	INPUT WATTS (W)		INPUT AMPS (A)	
	120V	277V	120V	277V
CADXR27	11.0	11.0	0.11	0.04
CADXR65	18.0	18.0	0.17	0.07
CADXR125	26.0	26.0	0.25	0.10
CADXR610	23.0	23.0	0.21	0.10
CADXR1210	32.0	32.0	0.30	0.13

REMOTE LAMP COMPATIBILITY

MODEL NUMBER	BATTERY	REMOTE CAPACITY	COMPATIBLE REMOTE HEAD FAMILY												
			RHLED			RH16LED	RH16		RH		RHR		SRH		SRHLED
			3.6V	9.6V	MV		6V	12V	6V	12V	6V	12V	6V	12V	
CADXR-65	6V	26W			X	X	X		X		X		X		X
CADXR-610	6V	76W			X	X	X		X		X		X		X
CADXR-125	12V	26W			X	X		X		X		X		X	
CADXR-1210	12V	76W			X	X		X		X		X		X	

NOTE

Voltages of the remote lamp head must match the voltage of the individual unit. Reference individual remote lamp head specification sheets for voltage compatibility.