

Project:	
Type:	
Catalog #:	

STANDARD



ILLUMINATION

- Long lasting, energy efficient white LED exit sign illumination.
- Single or double face configuration.
- Two 6V 5.3W adjustable white LED lamp heads.

ELECTRICAL

- Dual 120/277 voltage standard.
- Charge rate/power "ON" LED indicator light and push-to-test switch for mandated code compliance testing.
- 6V sealed lead acid, maintenance-free, rechargeable battery.
- LVD (low voltage disconnect) prevents battery from deep discharge.
- Internal solid-state transfer switch automatically connects the internal battery to LED board and LED lamp heads for minimum 120 minute emergency illumination.
- Fully automatic solid-state, two rate charger initiates battery charging to recharge a discharged battery in 24 hours.
- Remote capacity option available.

MOUNTING

- Mounting canopy included for top or end mount.
- Universal K/O pattern on back plate for wall mount.



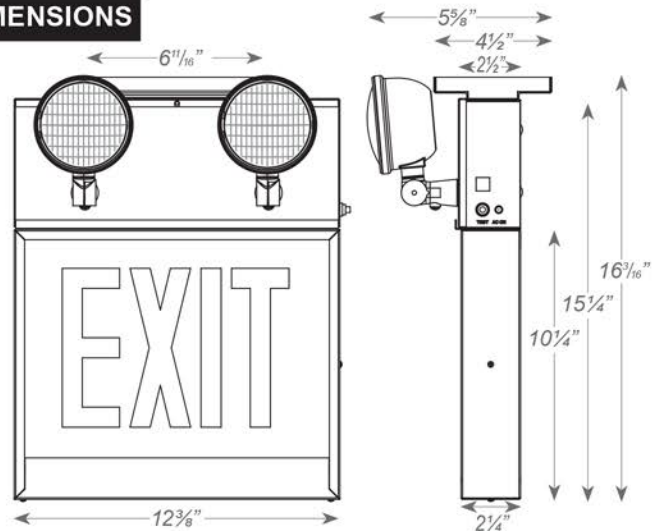
HOUSING

- Durable 20-gauge steel construction.
- White or black finish.

WARRANTY / LISTING

- Five year warranty on all electronics and housing. Battery pro rated for two years.
- Meets UL924, NFPA 101 Life Safety Code, NEC, OSHA, Local and State Codes.
- UL Listed for damp locations (20°C – 50°C).

DIMENSIONS



ORDERING INFORMATION

Sample Part Number: **CALEDCXTEU-1-R-W**

MODEL	No. of FACES		LETTER		HOUSING		OPTIONS		DIRECTIONAL ARROW									
									NA	DA	RA ¹	LA ¹	LARA ²	SW-LA ¹	SW-NA	SW-DA	SW-RA ¹	SW-LARA ¹
CALEDCXTEU	1	Single Face	R	Red	W	White	RC	Remote Capacity	NA	Exit No Arrow	SW-LA ¹	Stairs Left Arrow						
	2	Double Face			B	Black			DA	Exit Double Arrow	SW-NA	Stairs No Arrow						
									RA ¹	Exit Right Arrow	SW-DA	Stairs Double Arrow						
									LA ¹	Exit Left Arrow	SW-RA ¹	Stairs Right Arrow						
									LARA ²	Exit Left/Right Arrow	SW-LARA ¹	Stairs Left/Right Arrow						

Notes:

1. Available only with single face units.
2. Available only with double face units.

Project:	
Type:	
Catalog #:	

ELECTRICAL INFORMATION

CATALOG NUMBER	INPUT WATTS (W)		INPUT AMPS (A)	
	120V	277V	120V	277V
CALEDCXTEU	12	13	0.12A	0.06A
CALEDCXTEU-RC	12	13	0.12A	0.06A

REMOTE LAMP COMPATIBILITY

MODEL NUMBER	BATTERY	REMOTE CAPACITY	COMPATIBLE REMOTE HEAD FAMILY												
			RHLED			RH16LED	RH16		RH		RHR		SRH		SRHLED
			3.6V	9.6V	MV		6V	12V	6V	12V	6V	12V	6V	12V	
CALEDCXTEU-RC	6V	10W			X	X	X		X		X		X		X