

GENERAL INFORMATION

LED Driver Type	Constant Current (Class 2)
Maximum Wattage	40 Watts
Input Voltage	120 - 277 VAC ± 10% Universal
Input Frequency	50/60Hz
Total Harmonic Distortion	<20%

CASE STYLE W: POLYCARBONATE



ELECTRICAL SPECIFICATIONS

Watts	Rated Current	Output Voltage	Dimming Type	Input Voltage	Input Power	Input Current 120/277V	Power Factor	Efficiency	Hatch Part Number
Dimming Models									
40W	**350mA	38 - 114 VDC	0-10V Dimming	120 - 277 VAC	46W	0.41/0.19A	>0.90	88%	**LC40-0350Z-UNV-W
	*700mA	19 - 57 VDC	0-10V Dimming	120 - 277 VAC	46W	0.41/0.19A	>0.90	87%	*LC40-0700Z-UNV-W
	1050mA	12 - 36 VDC	0-10V Dimming	120 - 277 VAC	46W	0.41/0.19A	>0.90	87%	LC40-1050Z-UNV-W

** Non-Class 2

*Class 2 US ONLY

PRODUCT FEATURES

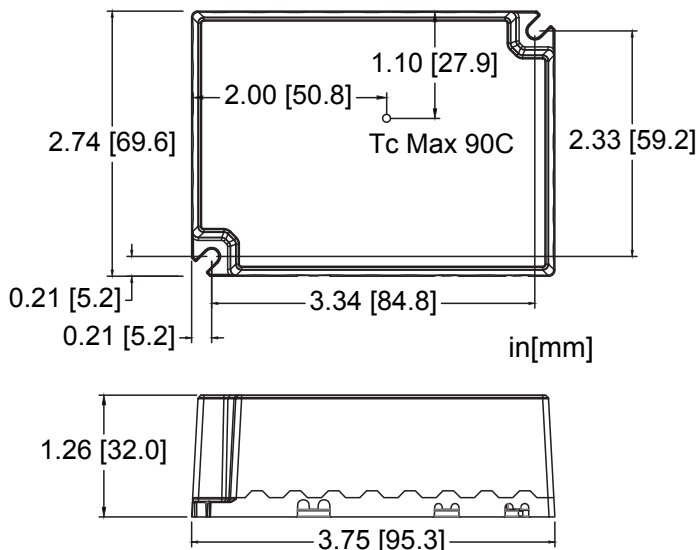
- Short circuit and overload protection
- Over temperature protection
- Suitable for dry and damp locations
- Withstanding voltage: I/P – O/P 2kVAC
- Operating temperature range: -40°C to 90°C (measured at Tcase)
- MTBF: 302,000 hours @ 40°C ambient (~70°C case temp)
- Surge voltage rating: L-N 2kV, L/N-G 4kV
- Inrush Current: <10A Max @230VAC, cold start 25°C
- Available in reverse phase dimming – Contact your sales representative for more information
- Output Current tolerance +/- 5% @ 25°C
- 0-10V dimming range: 10%-100%

APPROVALS

- UL 8750 recognized component
- EN61000-3-2
- EMC: Meets FCC47 CFR Part 15 (Class B) consumer limits
- IP66



MECHANICAL SPECIFICATIONS: CASE STYLE W



DIMENSIONS [IN/MM]

Length:	3.75 [95.3]
Mounting:	3.34 [84.8]
Width:	2.74 [69.6]
Height:	1.26 [32.0]

WIRING INFORMATION

Input:	12", Black (L), White (N) #18AWG
Output:	12", Red (+), Blue (-) #18AWG #22AWG (with Class 2 Output)
Dimming:	12", Purple (+), Grey (-) #22AWG

PACKAGING INFORMATION

Weight:	12.25oz
Quantity:	40pc/carton

WARRANTY

- 5 year limited warranty

RELATED PRODUCT

- Case Style G: 6.46" x 1.85" x 1.10"

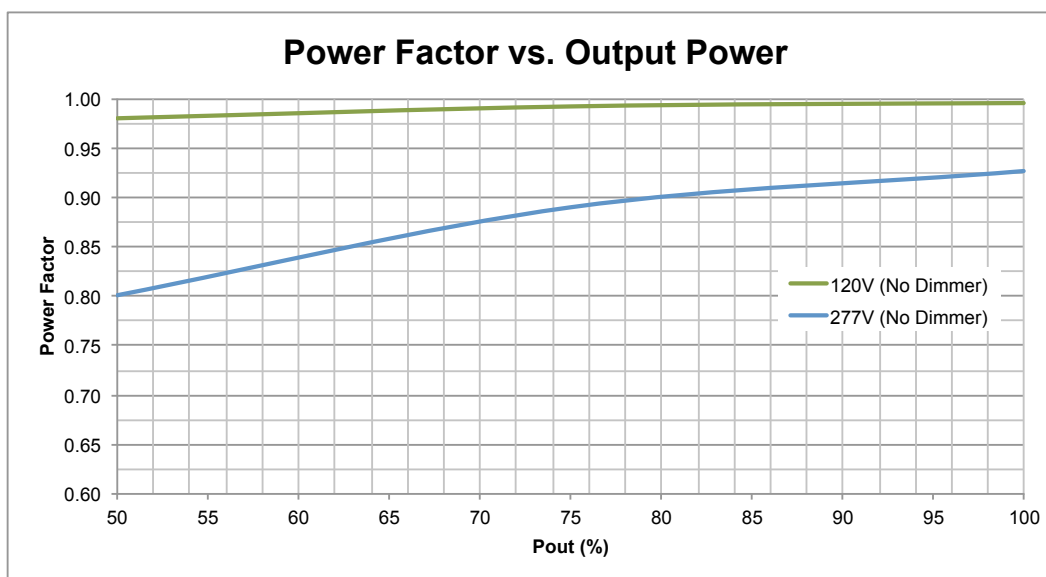
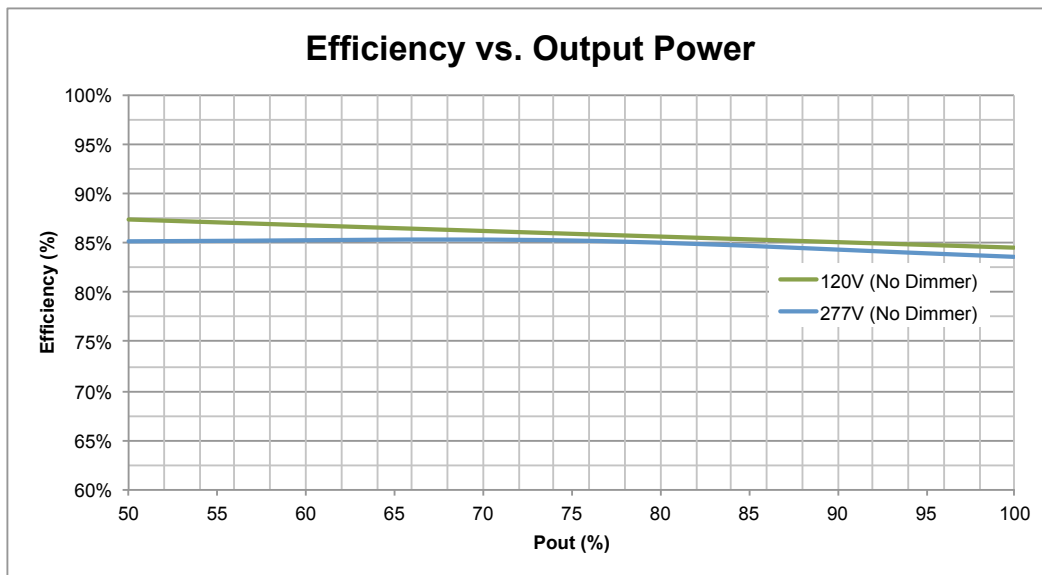
GENERAL INFORMATION

LED Driver Type	Constant Current (Class 2)
Maximum Wattage	40 Watts
Input Voltage	120 - 277 VAC ± 10% Universal
Input Frequency	50/60Hz
Total Harmonic Distortion	<20%

CASE STYLE W: POLYCARBONATE



PERFORMANCE CURVES



Efficiency and PF measured at 25°C.
Measurements made on model LC40-0700Z-UNV-W.

GENERAL INFORMATION

LED Driver Type	Constant Current (Class 2)
Maximum Wattage	40 Watts
Input Voltage	120 - 277 VAC ± 10% Universal
Input Frequency	50/60Hz
Total Harmonic Distortion	<20%

CASE STYLE W: POLYCARBONATE



PERFORMANCE CURVES

