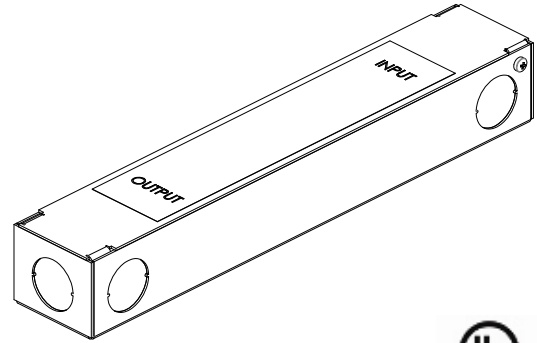


**Features**

**LVT**

- Outer enclosure made of steel with 7/8" knockouts on each end.
- Two 3/8" holes on the bottom of the enclosure for securing to a surface.
- Ground wire is attached with lug and nut to the inside bottom of the enclosure.
- The lid is attached by two screws (provided).
- 4 years warranty
- Maximum Remote-Mounting distance from the transformer to The farthest lamp is 10 feet (12V), 40 feet (24V), using 12AWG stranded copper wire.
- UL Listed.



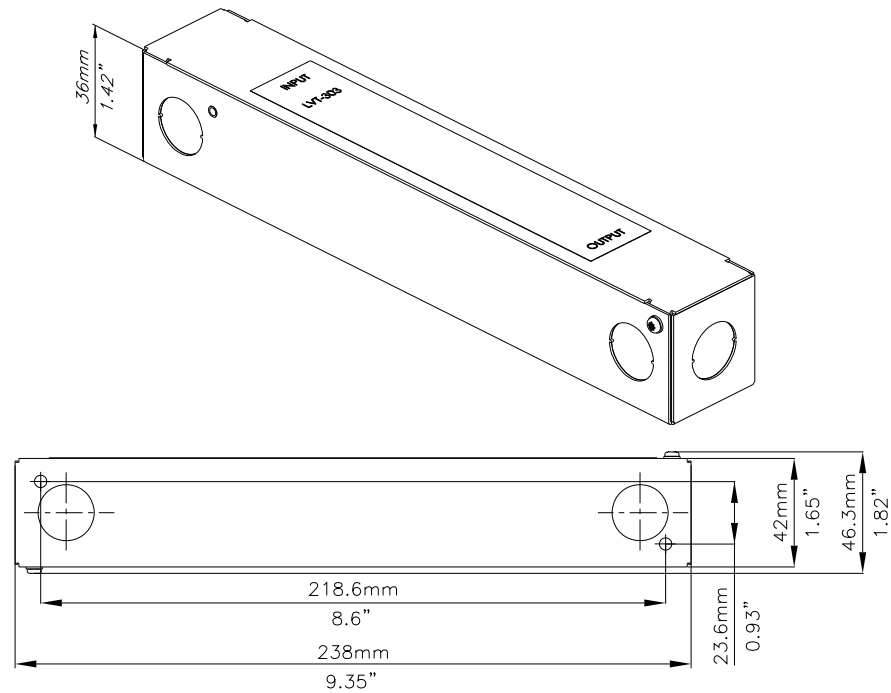
**Applications**

For remote-mounting/Stand-alone applications

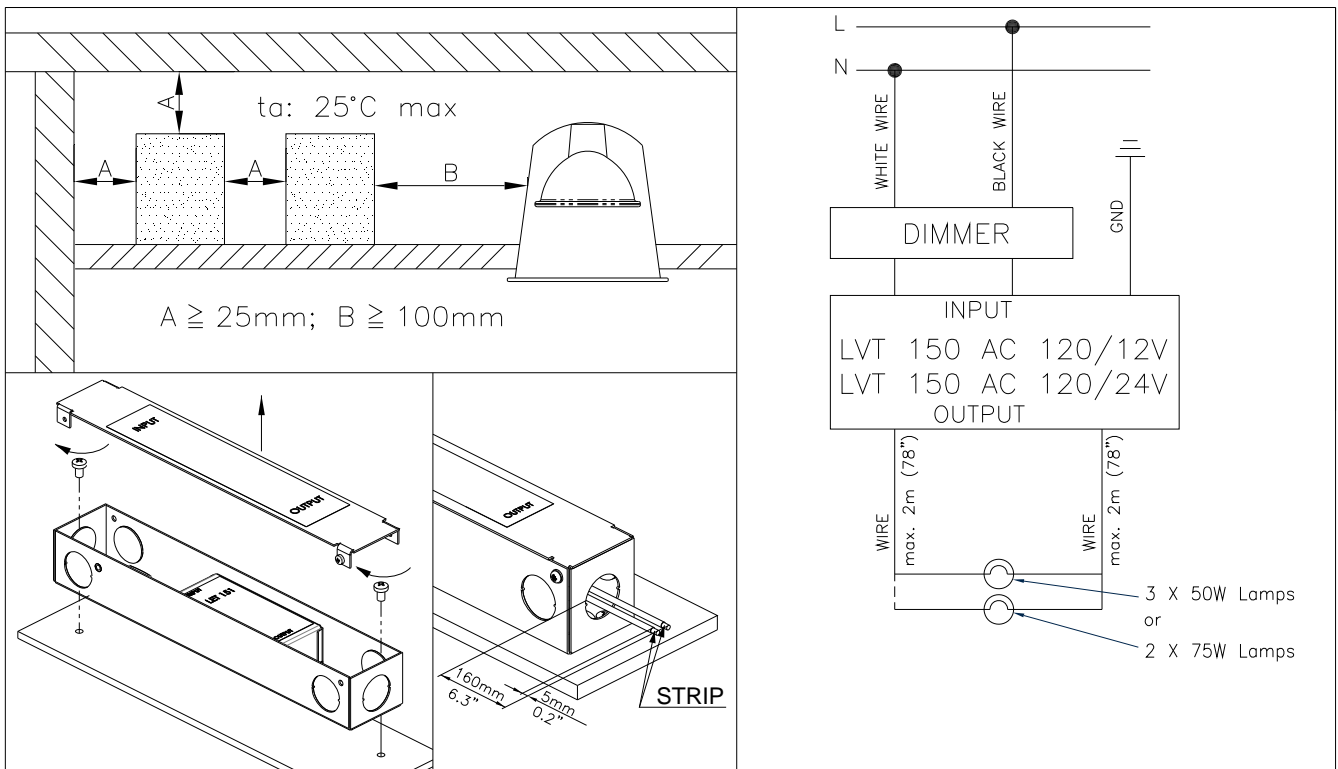
**Specifications**

VERSION		LVT 150W 12V	LVT 150W 24V
SKU no.		901151050	901151170
INPUT	VOLTAGE RANGE (V)	120V	120V
	FREQUENCY RANGE (Hz)	60	60
	POWER FACTOR	0.98	0.98
	EFFICIENCY (Typ.)%	93	93
	AC CURRENT (A)	1.25	1.25
	INRUSH CURRENT (A)	2.8 RMS / 0.1 sec	
OUTPUT	VOLTAGE (V) Note 3	12	24
	CURRENT (A) Note 3	12.5	6.25
	RATED POWER (W)	150	150
DIMMABLE	YES/NO	YES	YES
PROTECTION	INPUT VOLTAGE SURGE	YES	YES
	OVER TEMPERATURE	YES	YES
	SHORT CIRCUIT PROTECTION	YES	YES
	REINFORCED INSULATION	-	-
ENVIRONMENT	Ta (°C)	+25	+25
	Tc (°C)	+80	+80
	WORKING HUMIDITY	INDOOR	INDOOR
	STORAGE TEMP. (°C)	-10...+70	-10...+70
STANDARDS	VDE SAFETY	N/A	
	VDE EMC	N/A	
	UL	E164062	E164062
MECHANICAL	PLASTIC/ METAL CASE	METAL	METAL
	INPUT WIRES COLOR	BLK/WHT	BLK/WHT
	INPUT WIRES SIZE	18AWG	18AWG
	OUTPUT WIRE COLOR	BLUE	VIOLET
	OUTPUT WIRE SIZE	14AWG	16AWG
	WEIGHT	0.41kg	
NOTE	1. All parameters are measured at rated input, rated load and 25°C of ambient temperature. 2. Specifications may vary from time to time without notice. 3. Tolerance: includes set up tolerance, line regulation and load regulation. 4. Subject to standard warranty, terms and conditions as published from time to time. 5. This device complies with part 15 of the FCC Rules. Operations is subject to the following two conditions: (1) This device may not cause harmful interference, and (2) this device must accept interference received, including interference that may cause undesired operation. Class A.		

**Mechanical Drawing**



**Mounting Instructions**



**Safety Instructions**

1. Always disconnect power before installation and/or removal of the unit.
2. Install in accordance with national and local electrical codes.