

# Large LED Wallpack

LED | 40, 65, 82, or 100 watts

Project:	
Catalog#:	
Approved by:	
Date:	

## Features

- Construction
  - One-piece die-cast aluminum housing and hinged, removable die-cast aluminum door
  - One-piece silicone gasket seals the optical chamber
  - Housing has a textured bronze finish
  - Borosilicate molded glass lens
  - 1/2" conduit access, sides, top, or rear knockouts
- Photocell adaptable and UL listed for wet locations
- LED driver and electrical components are mounted to the die-cast housing for optimal heat sinking and operating efficiency
- UL recognized integral LED electronic driver is Class 2 rated for 120–277V, 50/60Hz
- High output LEDs provide 80+ CRI in 5000 K CCT
- The LED system delivers, on average, 70% of lumen maintenance (L70) at 60,000 hours
- 5 Year warranty



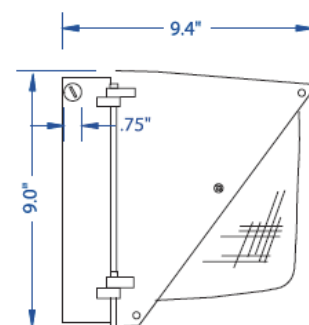
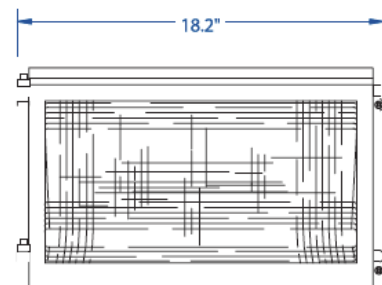
Ordering Information			
UPC Code	Catalogue #	Lumens	Input Watts
08381	LWP-5090-LED-MV	9010	97
08382	LWP-5075-LED-MV	7340	83
08383	LWP-5055-LED-MV	5200	55
08384	LWP-4035-LED-MV*	3360	40

\* This model is not listed in DLC QPL and only available in 4000K CCT. Please visit [www.designlights.org](http://www.designlights.org) for the latest Qualified Products List.

## Applications

Ideal for parking facilities, entry ways, perimeter/pathway lighting for underpasses.

## Dimensions



Cross Reference Chart				
Comparable to HID		LED Replacement		Energy Savings
Source	Input Watts <sup>†</sup>	Cat. #	Input Watts	Percentage
400W	464	LWP-5090-LED-MV	97	79%
250W	295	LWP-5075-LED-MV	83	71%
150W	185	LWP-5055-LED-MV	55	70%
100W	129	LWP-4035-LED-MV	40	69%

<sup>†</sup>120V on Quad Tap Ballast

Accessories (sold separately)	
Catalog #	Description
LCPCMV	LED compatible external stem & swivel mount electronic photocontrol <sup>§</sup>
LWPFC	Full cutoff with textured bronze finish
LWPSC	Side cutoff with textured bronze finish

<sup>§</sup> Please use LED compatible electronic components to maintain warranty.

LED **lighting facts**<sup>®</sup>  
A Program of the U.S. DOE

Light Output (Lumens)	5196
Watts	55.02
Lumens per Watt (Efficacy)	94.44

Color Accuracy Color Rendering Index (CRI)	84
---	----

Light Color  
Correlated Color Temperature (CCT) **5000 (Daylight)**

2700K 3000K Bright White 4500K Daylight 6500K

All results are according to IESNA LM-79-2008: *Approved Method for the Electrical and Photometric Testing of Solid-State Lighting*. The U.S. Department of Energy (DOE) verifies product test data and results.

Visit [www.lightingfacts.com](http://www.lightingfacts.com) for the *Label Reference Guide*.

Registration Number: -16ZANQ (5/16/2016)  
Model Number: LWP-5055-LED-MV  
Type: Luminaire - Area/Roadway

LED **lighting facts**<sup>®</sup>  
A Program of the U.S. DOE

Light Output (Lumens)	7339
Watts	82.53
Lumens per Watt (Efficacy)	88.93

Color Accuracy Color Rendering Index (CRI)	84
---	----

Light Color  
Correlated Color Temperature (CCT) **5000 (Daylight)**

2700K 3000K Bright White 4500K Daylight 6500K

All results are according to IESNA LM-79-2008: *Approved Method for the Electrical and Photometric Testing of Solid-State Lighting*. The U.S. Department of Energy (DOE) verifies product test data and results.

Visit [www.lightingfacts.com](http://www.lightingfacts.com) for the *Label Reference Guide*.

Registration Number: -F5MFRT (5/16/2016)  
Model Number: LWP-5075-LED-MV  
Type: Luminaire - Area/Roadway

LED **lighting facts**<sup>®</sup>  
A Program of the U.S. DOE

Light Output (Lumens)	9014
Watts	97.25
Lumens per Watt (Efficacy)	92.69

Color Accuracy Color Rendering Index (CRI)	84
---	----

Light Color  
Correlated Color Temperature (CCT) **5000 (Daylight)**

2700K 3000K Bright White 4500K Daylight 6500K

All results are according to IESNA LM-79-2008: *Approved Method for the Electrical and Photometric Testing of Solid-State Lighting*. The U.S. Department of Energy (DOE) verifies product test data and results.

Visit [www.lightingfacts.com](http://www.lightingfacts.com) for the *Label Reference Guide*.

Registration Number: -NTC31C (5/16/2016)  
Model Number: LWP-5090-LED-MV  
Type: Luminaire - Area/Roadway