

GE
Lighting

LED Power Supply

Outdoor Dimming Driver (GE040/1050/MV-GL)
12164



imagination at work

Outdoor Dimming Driver

GE040/1050/MV-GL

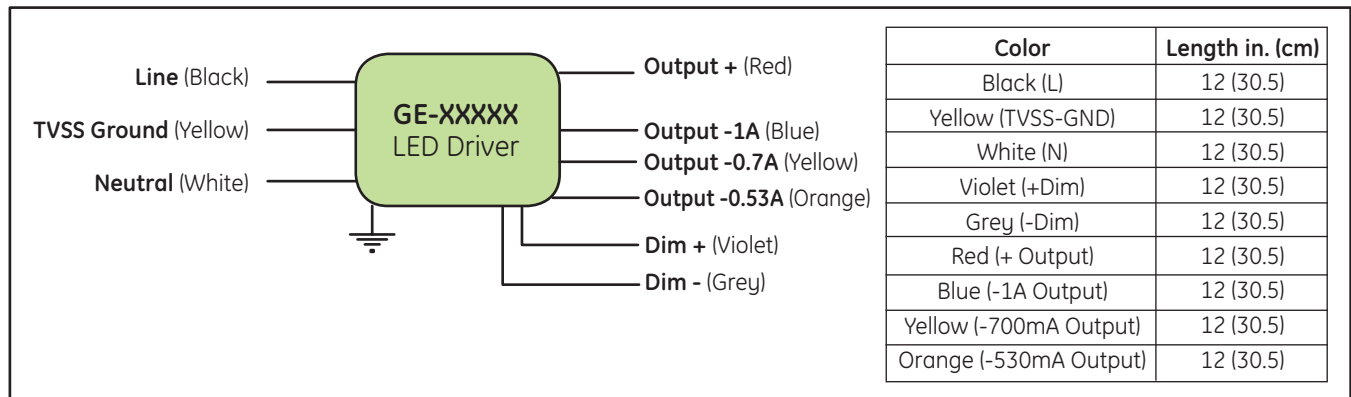
Description: 40W 0.53/0.7/1.05A Dimmable Class 1 PSU

Input Voltage: 120-277V

Input Frequency: 50-60Hz



Max Output Power (W)	Output Current (A)	Output Voltage (V)	Efficiency Full Load @120V	Max Input Current (A)	Max THD @75W Output	Min PF 75W Output	Max Inrush Current (A/mS)	Surge Protection (kV/kA)	Isolated Dimming			Weight (lbs/kg)	IP Rating
									Protocol	Current Source	Dimming Range		
40	0.525 ± 5%	40-80	>86%	0.42 @ 120V 0.18 @ 277V	20%	0.9	See Page 6	6/3	0-10V	0.5mA	100%-10%	2.2/1	IP66
	0.700 ± 5%	30-60	>85%		20%	0.9							
	1.05 ± 5%	20-40	>84%		20%	0.9							



Product Features

Physical

- Unit must be installed within an electrical enclosure.
- Enclosure wiring must be rated to 600V & 105°C or higher.

Performance

- Classified as Class 1 as per UL8750.
- Dimming circuit is classified as Class 2 as stipulated in UL1310.
- Minimum ambient operating temperature: -40°C.
- Maximum allowable case temperature: 80°C.
- For reliability and failure rate information, contact GE Technical Sales Representative.
- Output current reduces if the case temperature exceeds 85°C.
- UL listed for operation in dry/damp locations (Outdoor Type 1).
- Tolerates of extended open circuit and short circuit conditions.
- Compliant to FCC Title 47 Part 15 Class A
- Surge resistance per IEEE/ANSI C136.2-2015 Location C-Low (6kV/3kA)
- Ground Leakage current of <= 0.4 mA

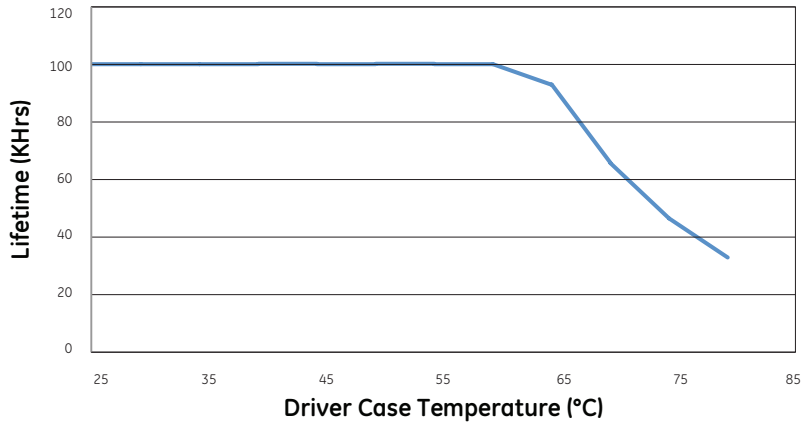
UL Conditions of Acceptability – E3430135

- The unit has been examined to comply with Class 1 Output Criteria
- The unit is only to be used in dry or damp locations
- The metal casing must be connected to EARTH.
- TVSS-GND (Yellow wire) shall be connected to fixture ground after hi-pot test using closest tab screw. THIS IS NOT A SAFETY GROUND!

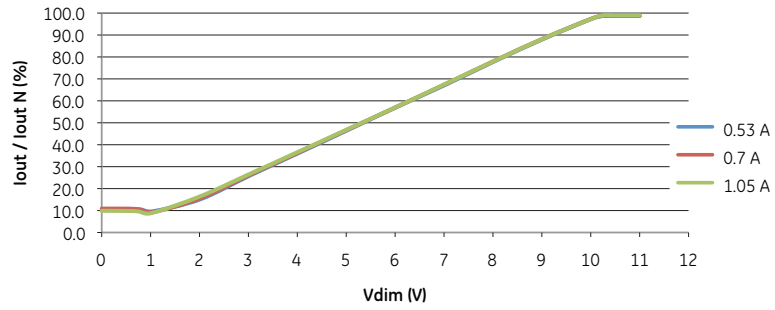
Technical Information

GE040/1050/MV-GL

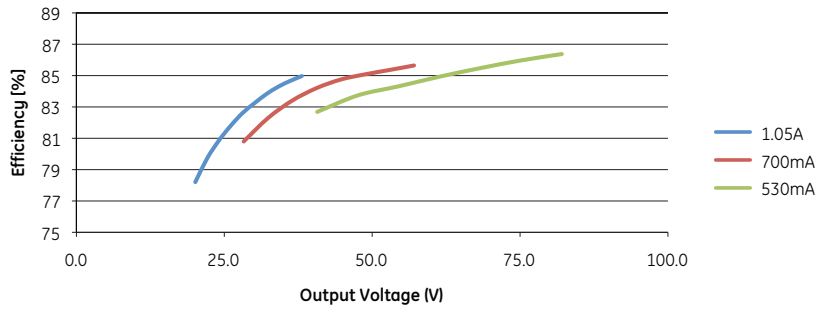
Lifetime (kHrs) vs Case Temperature (°C)



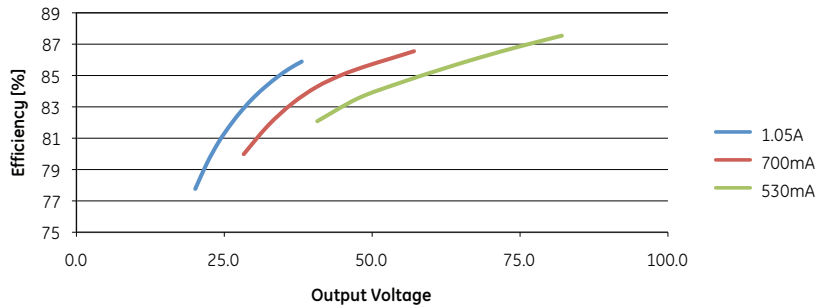
Iout v.s. Vdim



Efficiency vs Output Voltage @ 120V 60Hz



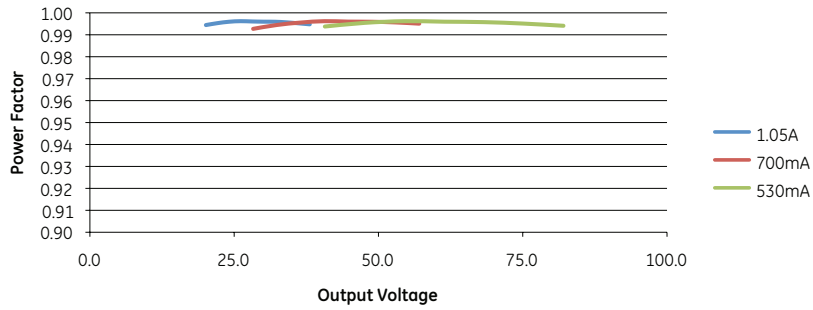
Efficiency vs Output Voltage @ 277V 60Hz



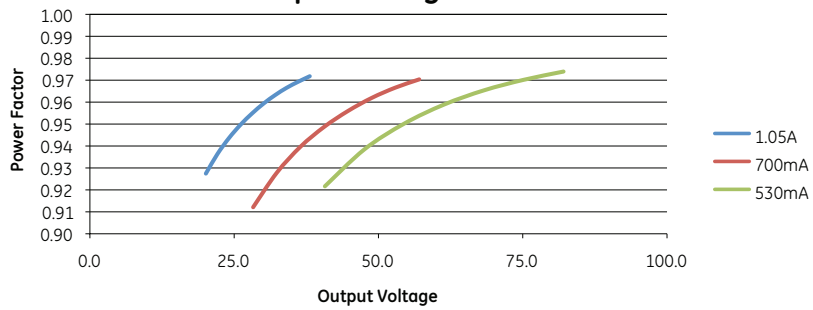
Technical Information

GE040/1050/MV-GL

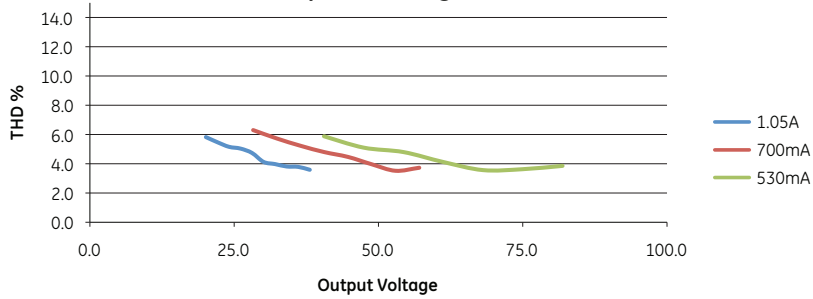
PF vs Output Voltage @ 120V 60Hz



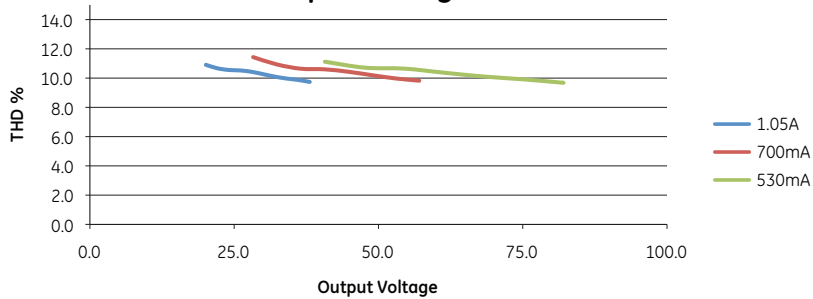
PF vs Output Voltage @ 277V 60Hz



THD vs Output Voltage @ 120V 60Hz



THD vs Output Voltage @ 277V 60Hz



Input Inrush Current

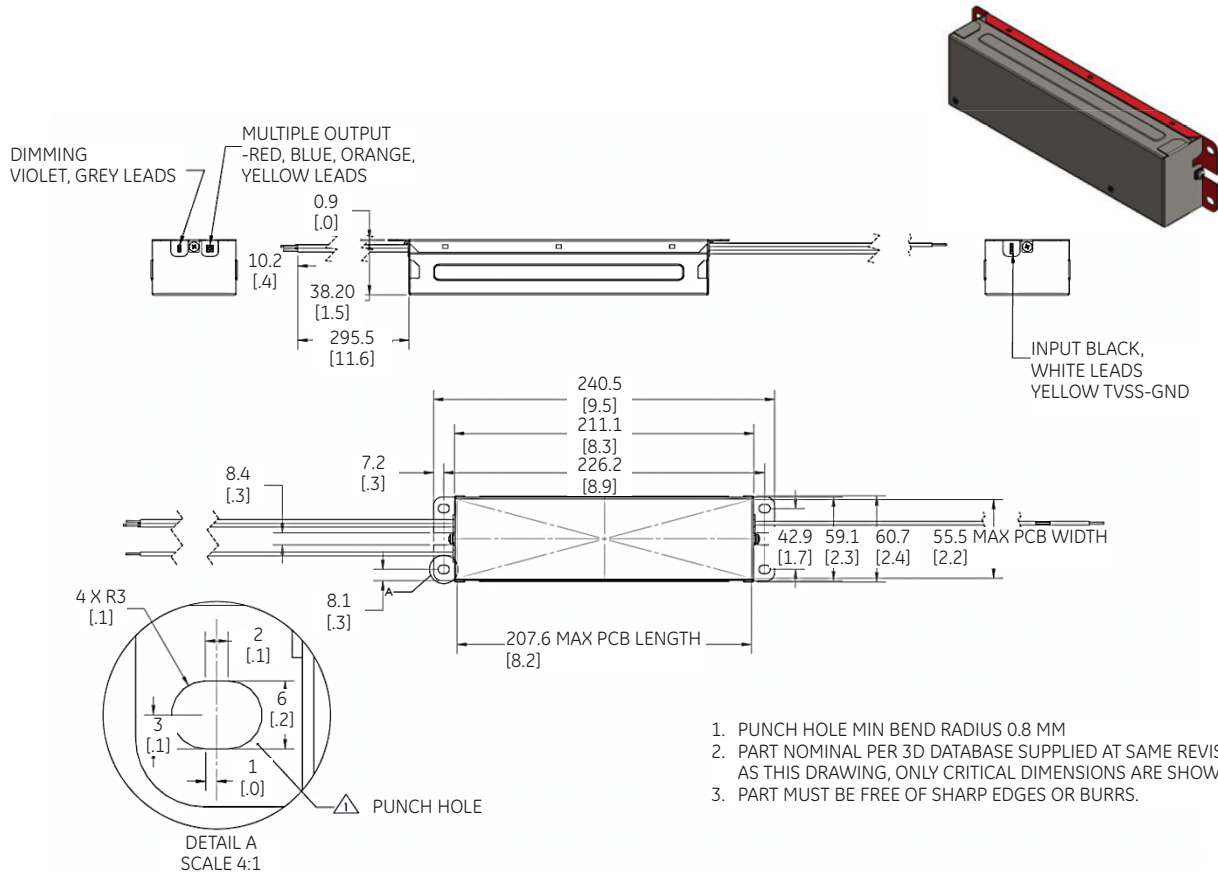
Input Voltage [Vrms]	Peak Current Pulse [Apk]	Pulse Duration (50% of Peak) [ms]
120	33	0.112
277	56.1	0.118

Input Ground Leakage Current

Input Voltage [Vrms]	Leakage Current [mA]
120	0.075
240	0.145

Product Dimensions

GE040/1050/MV-GL



Product Label

INPUT VIN nom: 120-230-277V~ Freq: 50/60Hz Iin max: 0.45A~ PF min: 0.9		LED POWER SUPPLY GE040/1050/MV-GL		Measure 20mm down side 	<table border="1"> <tr> <td>VOUT: 20-80V</td> <td rowspan="4" style="writing-mode: vertical-rl; transform: rotate(180deg);">OUTPUT</td> </tr> <tr> <td>IOUT: 0.53A RED/ORG</td> </tr> <tr> <td>IOUT: 0.7A RED/YEL</td> </tr> <tr> <td>IOUT: 1.05A RED/BLU</td> </tr> <tr> <td>POUT: 40W</td> <td></td> </tr> </table>	VOUT: 20-80V	OUTPUT	IOUT: 0.53A RED/ORG	IOUT: 0.7A RED/YEL	IOUT: 1.05A RED/BLU	POUT: 40W	
		VOUT: 20-80V	OUTPUT									
		IOUT: 0.53A RED/ORG										
		IOUT: 0.7A RED/YEL										
IOUT: 1.05A RED/BLU												
POUT: 40W												
<table border="1"> <tr> <td rowspan="2" style="text-align: center;"> WARNING / AVERTISSEMENT </td> <td>(L) BLACK</td> <td>(+OUT) RED</td> <td rowspan="2" style="text-align: center;"> • Suitable for dry and damp locations • tc = 80°C max </td> </tr> <tr> <td>(TVSS-FGND) YELLOW</td> <td>(-OUT_0.53A) ORANGE (-OUT_0.7A) YELLOW (-OUT_1.05A) BLUE (+DIM) VIOLET (-DIM) GRAY</td> </tr> </table>		WARNING / AVERTISSEMENT	(L) BLACK	(+OUT) RED	• Suitable for dry and damp locations • tc = 80°C max	(TVSS-FGND) YELLOW	(-OUT_0.53A) ORANGE (-OUT_0.7A) YELLOW (-OUT_1.05A) BLUE (+DIM) VIOLET (-DIM) GRAY	<table border="1"> <tr> <td>VDIM: 0-10V</td> <td style="writing-mode: vertical-rl; transform: rotate(180deg);">DIMMING</td> </tr> </table>		VDIM: 0-10V	DIMMING	
WARNING / AVERTISSEMENT	(L) BLACK		(+OUT) RED	• Suitable for dry and damp locations • tc = 80°C max								
	(TVSS-FGND) YELLOW	(-OUT_0.53A) ORANGE (-OUT_0.7A) YELLOW (-OUT_1.05A) BLUE (+DIM) VIOLET (-DIM) GRAY										
VDIM: 0-10V	DIMMING											
<table border="1"> <tr> <td rowspan="2" style="text-align: center;"> RISK OF ELECTRIC SHOCK Turn power off before servicing. Properly ground power supply and fixture. RISQUE DE CHOC ÉLECTRIQUE Déconnectez l'alimentation électrique avant d'installer ce produit. </td> <td rowspan="2" style="text-align: center;"> CASE MUST BE GROUNDED </td> <td rowspan="2" style="text-align: center;"> </td> <td rowspan="2" style="text-align: center;"> </td> <td rowspan="2" style="text-align: center;"> </td> </tr> <tr> <td colspan="2" style="text-align: center;"> S/N: myyf dd 1 Made in China </td> </tr> </table>		RISK OF ELECTRIC SHOCK Turn power off before servicing. Properly ground power supply and fixture. RISQUE DE CHOC ÉLECTRIQUE Déconnectez l'alimentation électrique avant d'installer ce produit.	CASE MUST BE GROUNDED				S/N: myyf dd 1 Made in China		IMPORTANT: After HiPot test connect TVSS-FGND to fixture using the closest tab screw.			
RISK OF ELECTRIC SHOCK Turn power off before servicing. Properly ground power supply and fixture. RISQUE DE CHOC ÉLECTRIQUE Déconnectez l'alimentation électrique avant d'installer ce produit.	CASE MUST BE GROUNDED											
		S/N: myyf dd 1 Made in China										



www.gelighting.com

GE and the GE Monogram are trademarks of the General Electric Company. All other trademarks are the property of their respective owners. Information provided is subject to change without notice. All values are design or typical values when measured under laboratory conditions. GE Lighting and GE Lighting Solutions, LLC are businesses of the General Electric Company. © 2015 GE.

OLP3061 (Rev 09/15/15)