

Universal 120Vac - 277V 20W/39W Mini Stick Electronic Metal Halide Ballast

Model PS10U20K & PS10U39K



INPUT SPECIFICATIONS

● Vac	95-305 Vac
● PS10U20K Amp's@120	0.20A @ 20W
● PS10U39K Amp's	0.35A @ 39W
● Frequency	50/60Hz
● THD	<10% (7% Typ.)
● Power Factor	>98%

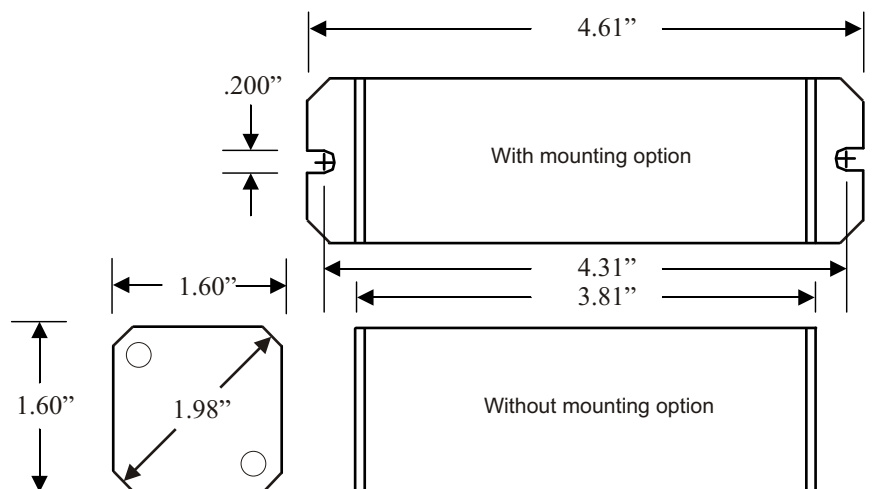
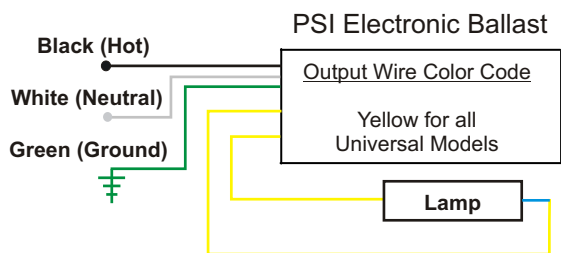
● Vac	208-277 Vac
● PS10U20K Amp's	0.09A @ 20W
● PS10U39K Amp's	0.15A @ 39W
● Frequency	50/60Hz
● THD	<15% (11% Typ.)
● Power Factor	>96%

OUTPUT SPECIFICATIONS

● PS10U20K Lamp Power	20W +/- 2%
● PS10U39K Lamp Power	39W +/- 2%
● Lamp Drive Frequency	150Hz +/-10%
● Lamp Current Crest Factor	<1.2
● Open Circuit Voltage	>300V Square Wave
● Ignitor Voltage @ Ballast Leads	>3.8KV
● Ignition Failure Timeout	30 Min. Shutdown
● Maximum distance from Ballast	2.5M or (8.2 feet) Max.
● Compatible 39W ANSI Lamp Types	M130
● Compatible 20W ANSI Lamp Types	M156

MECHANICAL / ENVIRONMENTAL

- | | |
|----------------------------------------------|--------------------------------------------------------|
| ● Enclosure Overall Dimensions 'both Models' | 3.81" L x 1.60" W x 1.60" H 'Also available with Feet' |
| ● Unit Weight | 16.8oz. |
| ● Operating Temperature | Min. Temp -30°C - Max. Temp 90°C |
| ● EMI / RFI Compliance | FCC Part 18 |
| ● Sound Rating | Rated 'A' |
| ● UL / CUL Listed | File #E173598 |
| ● Warranty up to 5 years. | |



PowerSelect Inc.

Tel: (714) 901-3900 Fax: (714) 901-0026
E-mail - sales@powersselectinc.com

PSI reserves the right to modify any specifications without notice.. Revised 01-12-12