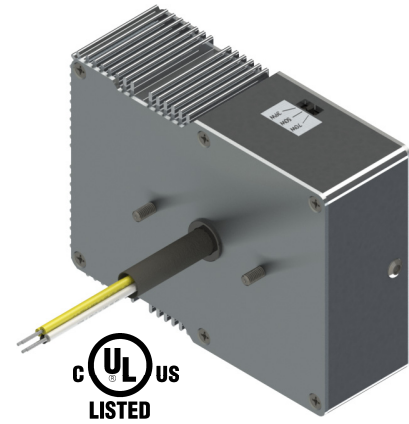


POWERSELECT

PS13U90S

120-277Vac Selectable Wattage HID Ballast



Features

- Three selectable power settings of 39 Watt, 50 Watt, or 70 Watt.
- Supports all input voltages from 90VAC through 305VAC
- Industry standard chassis footprint.
- 3-Year Warranty

Input Specifications

Voltage	120Vac ± 10%	277Vac ± 10%
Current @ 39W	0.37A	0.17A
Current @ 50W	0.48A	0.21A
Current @ 70W	0.66A	0.29A
Power @ 39W	44.5W	44W
Power @ 50W	57W	56W
Power @ 70W	79W	78W
Frequency	50/60 Hertz	
THD	<7%	
Power Factor	>98%	

Output Specifications

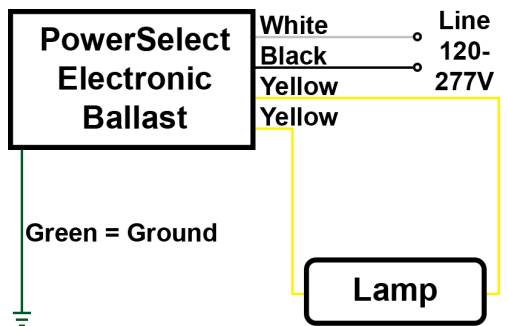
Output Power (Selectable)	39W, 50W, 70W
Lamp Drive Frequency	150Hertz ± 10%
Lamp Current Crest Factor	<1.2
Open Circuit Voltage	>300V Square Wave
Ignitor Voltage	>3.8kV
Ignition Failure Timeout	30 Minutes
Remote Ballast Distance	10 Feet*
Compatible 39W ANSI Lamps	M130
Compatible 50W ANSI Lamps	M110, M148
Compatible 70W ANSI Lamps	M85, M98, M139, M143

* Consult factory for remote ballast requirements beyond 10 Feet.

Mechanical & Environmental

Overall Enclosure Dimensions	4.75" L x 3.46" W x 1.59" H
Enclosure	Extruded Aluminum, fully potted
Input & Output Wiring	8" UL1015 # 18 AWG, rated 105°C
Operating Temperature	-30°C to 90°C
EMI / RFI Compliance	FCC Part 18
Sound Rating	Rated 'A'
UL/CUL Listed File	E173598

Ballast Wiring



Enclosure Dimensions

