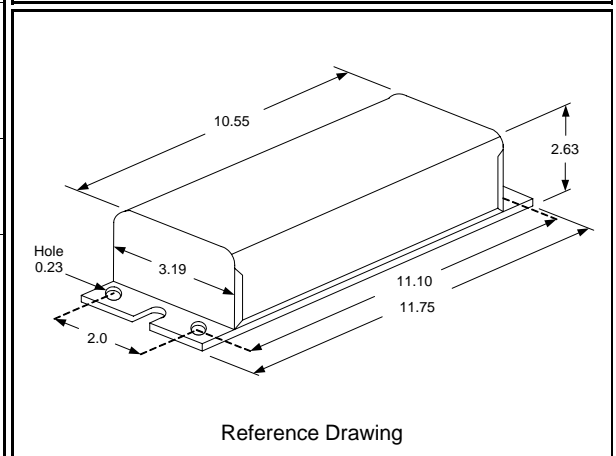
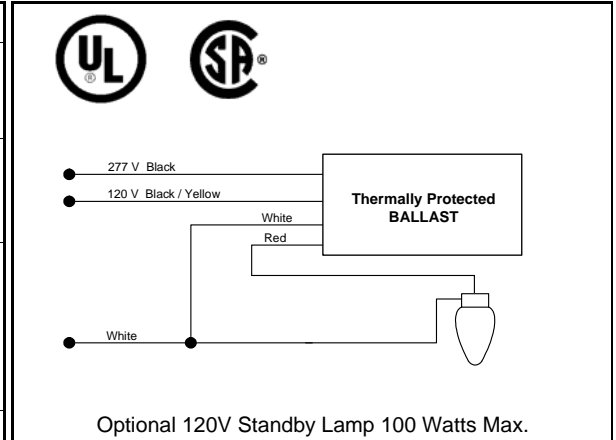


Specification Sheet

Input Volts	120	277			
Regulation					
Line Volts	±5%	±5%			
Lamp Watts	±10%	±10%			
Power Factor (min)	90%	90%			
Input Watts	71 W	71 W			
NOM. Open Circuit Voltage	125 V	125 V			
Line Current (Amps)					
Operating	0.70	0.30			
Open Circuit	1.05	0.45			
Starting	0.90	0.35			
Recommended Fuse (Amps)	3	2			
Lamp Dropout Voltage (Line)	90 V	210 V			
Ratings					
Insulation Class	A (105°C)	A (105°C)			
Sound Rating	B	B			
MIN. Starting Temperature	-40°F -40°C	-40°F -40°C			
CAPACITOR Specifications					
Microfarads	-	-			
Volts (min.)	-	-			
60Hz Test Procedures					
High Potential Test 1 Minute	2000 V	2000 V			
High Potential Test 1 Second	2500 V	2500 V			
Secondary Open Ckt Voltage (V)	110 - 140	110 - 140			
Secondary Current Shorted (A)	1.45 - 1.85	1.45 - 1.85			
Input Operating Current (A)	0.60 - 0.80	0.25 - 0.35			
Input Open Circuit Current (A)	0.50 - 1.55	0.20 - 0.65			
Input Short Circuit Current (A)	0.60 - 1.10	0.22 - 0.45			
Physical Characteristics					
Weight	9 lbs	9 lbs			
Lead Lengths (inches)	12-14	12-14			
Coil Material (Pri. / Sec.):	Cu / Cu	Cu / Cu			



Capacitor: Internal **Ignitor: Internal**

BTL: 10 ft

High Voltage Pulses are present at open circuit

Insulate unused input lead with proper electrical insulation

Anchor bracket / tab provided for splice box SB-4 (not included)

Document #: 010-13237-00

Date: 5/5/2009

Status: Production

Replaces Catalog #: New Design

Data is based upon tests performed by Universal Lighting Technologies in a controlled environment and is representative of relative performance. Actual performance may vary depending on operating conditions. Specifications are subject to change without notice.