

443-L-SLH-TC-P

Application and Performance Specifications

Description: Electromagnetic ballast for (2) fluorescent lamps as indicated below:

- Line Voltage: 277 vac, + 5%, - 10%, 60Hz
- Series Lamp Operation
- Rapid Start
- High Power Factor

Typical Performance Data								
Lamp		Input Current (Amps)	Input Power (Watts)	Power Factor	Ballast Factor	Ballast Efficacy Factor	T.H.D. %	Crest Factor
Type	#							
F40T12ES	2	.28	74	> .90	.90	1.22	< 20	< 1.9
F40T12ES/U	2	.28	74	> .90	.90	1.22	< 20	< 1.9
F40T12/U	2	.34	92	> .90	.95	1.03	< 20	< 1.7
F40T12	2	.34	90	> .90	.95	1.06	< 20	< 1.7
F40T10	2	.33	90	> .98	.95	1.06	< 20	< 1.7

Application and Performance Specification Information Subject to Change without Notification.

Performance:

- Complies with ANSI Standard C82.1
- Compatible with PLC and IR systems
- Meets U.S. Public Law 100-357 for energy efficiency
- Meets CSA Standard 654 for energy efficiency
- Lead type circuit

Safety:

- No PCB's
- UL listed (Class P, Indoor and Type 1 Outdoor, HL)
- CSA Certified
- Thermally Protected

Application:

- Minimum Starting Temperature: 60° F, 15° C for *Energy Savings (34w) lamps; 50° F, 10° C for other lamps*
- Maximum Ballast Case Temperature not to exceed 90° C
- Sound Rated: A
- Remote Mounting: 20 feet with minimum 18 AWG (refer to TechNote # 7b for other wire sizes/lengths)

Mechanical:

- Length: 9 1/2" 8 57/64"
 - Width: 2 3/8" 1 11/16"
 - Height: 1 1/2"
 - Lead Length (inches, ± 1):
- | | |
|-------------------|----|
| White, Black | 22 |
| Red (2), Blue (2) | 26 |
| Yellow (2) | 36 |
- Weight: 3.4 lbs.

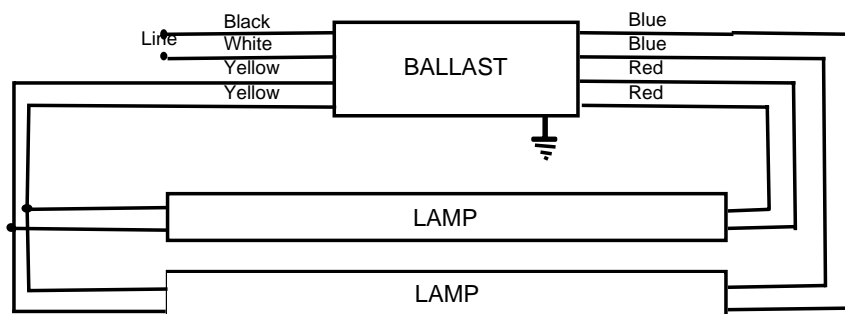
Footnotes:

* This ballast meets low-leakage current to ground requirements.

Warranty:

Universal Lighting Technologies warrants to the purchaser that each electronic ballast will be free from defects in material or workmanship for a period of 36 months from date of manufacture when properly installed and under normal conditions of use. Call **1-800-BALLASTx800** for technical assistance.

Manufactured in North America



Ballast must be grounded. Install in accordance with National Electric Code.