

# 546-B-TC-P

## Application and Performance Specifications

**Description:** Electromagnetic ballast for (1) lamp as indicated below:

- Line Voltage: 120 vac, + 5%, - 10%, 60Hz
- Trigger Start
- Low Power Factor

Typical Performance Data								
Lamp		Input Current ( Amps )	Input Power ( Watts )	Power Factor	Ballast Factor	Ballast Efficacy Factor	T.H.D. %	Crest Factor
Type	#							
<b>F20T12</b>	<b>1</b>	<b>0.58</b>	<b>29</b>	<b>&lt; .60</b>	<b>.82</b>	<b>2.83</b>	<b>&lt; 10</b>	<b>&lt; 1.7</b>
F15T8	1	0.55	25	< .60	.89	3.50	< 10	< 1.7
F15T12	1	0.61	30	< .60	.96	3.23	< 10	< 1.7
F14T12	1	0.66	30	< .60	.86	2.87	< 10	< 1.7

Application and Performance Specification Information Subject to Change without Notification.

### Performance:

- Designed in accordance with ANSI C82.1
- Compatible with PLC and IR systems
- Lag type circuit

### Safety:

- No PCB's
- UL listed (Class P, Indoor and Type 1 Outdoor, HL)
- CSA Certified
- Thermally Protected

### Application:

- Minimum Starting Temperature: 50° F, 10° C
- Maximum Ballast Case Temperature not to exceed 90° C
- Sound Rated: A
- Remote Mounting: 20 feet with minimum 18 AWG  
( refer to TechNote # 7b for other wire sizes/lengths )

### Mechanical:

- Length: 6 7/16"
- Width: 1 7/8"
- Height: 1 1/2"
- Lead Length ( inches, ± 1 ) :
  - Black 10
  - White, Blue 17
  - Red (2) 12
- Weight: 1.9 lbs.

### Overall

### Mounting

6"

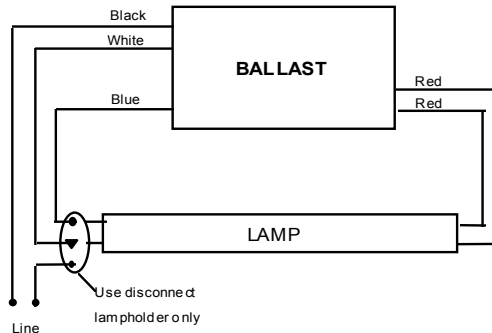
### Footnotes:

\* Requires one circuit-interrupting lampholder.

### Warranty:

Universal Lighting Technologies warrants to the purchaser that each electronic ballast will be free from defects in material or workmanship for a period of 24 months from date of manufacture when properly installed and under normal conditions of use. Call **1-800-BALLASTx800** for technical assistance.

### Manufactured in North America



**Ballast must be grounded. Install in accordance with National Electric Code.**