

## B432IUNV-D

### APPLICATION and PERFORMANCE SPECIFICATION

**Description:** Electronic ballast(s) for (3/4) **F32T8** or (3/4) F25T8 or (3/4) F17T8 or (3) F40T8 or (4) F25T12 lamps (also operates equivalent U-bend lamps)

- Line Voltage: 120-277 vac,  $\pm 10\%$ , 50/60Hz
- Parallel Lamp Operation
- Instant Start
- Active Power Factor Correction

Model	Line Volts	No. of Lamps	Lamp Type	Input Watts	Nominal Line Amps	Ballast Factor	Power Factor	Harmonic Total	Crest Factor
<b>B432IUNV-D</b>	120	4	<b>F32T8</b>	111	<b>0.93</b>	<b>0.88</b>	> <b>0.98</b>	< <b>10%</b>	< <b>1.7</b>
	277	4	<b>F32T8</b>	109	<b>0.40</b>	<b>0.88</b>	> <b>0.98</b>	< <b>10%</b>	< <b>1.7</b>
	120	3	F32T8	92	0.77	0.96	> 0.98	< 10%	< 1.7
	277	3	F32T8	91	0.33	0.96	> 0.98	< 10%	< 1.7
	120	4	F25T8	87	0.73	0.90	> 0.98	< 10%	< 1.7
	277	4	F25T8	85	0.31	0.90	> 0.98	< 10%	< 1.7
	120	3	F25T8	72	0.60	0.97	> 0.98	< 10%	< 1.7
	277	3	F25T8	71	0.26	0.97	> 0.95	< 10%	< 1.7
	120	4	F17T8	59	0.49	0.91	> 0.98	< 10%	< 1.7
	277	4	F17T8	58	0.22	0.91	> 0.95	< 12%	< 1.7
	120	3	F17T8	49	0.41	0.98	> 0.98	< 10%	< 1.7
	277	3	F17T8	48	0.18	0.98	> 0.95	< 12%	< 1.7
	120	3	F40T8	112	0.94	0.94	> 0.98	< 10%	< 1.7
	277	3	F40T8	109	0.40	0.94	> 0.98	< 10%	< 1.7
	120	4	F25T12	90	0.75	0.89	> 0.98	< 10%	< 1.7
	277	4	F25T12	88	0.32	0.89	> 0.98	< 10%	< 1.7

Application and Performance Specification Information Subject to Change without Notification.

**Performance:**

- Meets ANSI Standard C82.11-1993
- Meets ANSI Standard C62.41-1991
- Meets FCC Part 18 (Class A) for EMI and RFI Non-Consumer Limits

**Safety:**

- No PCB's
- UL listed (Class P, Type 1 Outdoor)
- CSA Certified

**Application:**

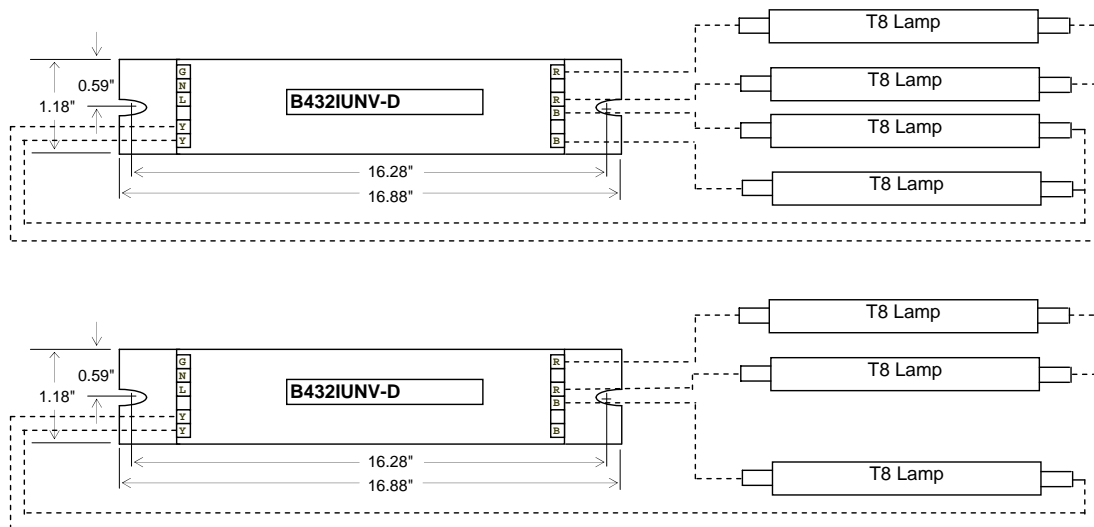
- Minimum Starting Temperature: 0 °F, -18 °C
- Maximum Ambient Temperature: 105 °F, 40°C
- Maximum Case Temperature(tc): 167 °F, 75 °C
- Sound Rating: Class A
- Remote Mounting: 18 ft.
- Wire Trap, Plug-in Connectors are Standard (use 18 AWG solid copper wire)

**Physical Parameters**

	Inches	Metric
• Mounting Length: (Center to Center)	16.28" +/- 0.01"	413.6 mm
• Overall Length:	16.88" +/- 0.01"	428.9 mm
• Width:	1.18" + 0.03"/- 0.02"	30 mm
• Height:	1.00" + 0.04"/- 0.01"	25.4 mm
• Weight:	1.25 lbs.	0.55 kg

**Warranty:**

Universal Lighting Technologies warrants to the purchaser that each electronic ballast will be free from defects in material or workmanship for a period of 5 years from date of manufacture when properly installed and under normal conditions of use. Call **1-800-BALLASTx800** for technical assistance.



Ground to Case or Input Terminal (G)

