



PRODUCT FEATURES

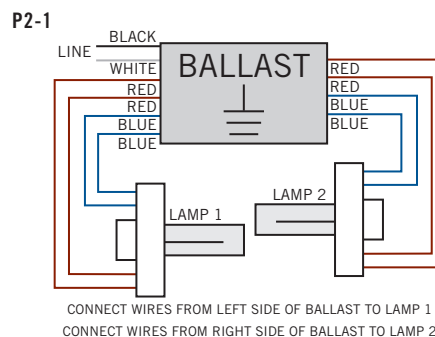
STARTING METHOD: Rapid	INPUT VOLTAGE: 120VAC ±10%	WARRANTY: 3 Years
LAMP CONNECTION: Parallel	INPUT FREQUENCY: 50/60 Hz	POWER FACTOR: Normal

- Sound Rated: A
- Minimum Starting Temperature: 0°F, -18°C
- Maximum Case Temperature: 167°F, 75°C
- Meets FCC Part 18 (Class B) Consumer Limits
- Transient Protection Meets ANSI/IEEE62.41 Cat. A
- Ballast frequency for all listed lamps: 20KHz-30KHz
- Lamp end-of-life protected

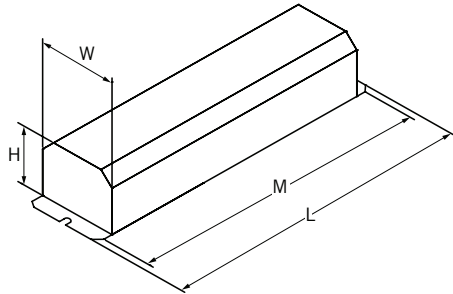
ELECTRICAL SPECIFICATIONS

LAMP TYPE	NO. OF LAMPS	INPUT VOLTS	INPUT WATTS	INPUT CURRENT (AMPS)	POWER FACTOR	CREST FACTOR	BALLAST FACTOR	BALLAST EFFICACY FACTOR	MAX THD%	WIRING DIAGRAM
CFQ26W/G24q	2	120	49.0	0.75	0.55	1.50	0.95	1.94	150	P2-1

WIRING DIAGRAMS



CASE STYLE/DIMENSIONS



CASE DIMENSIONS

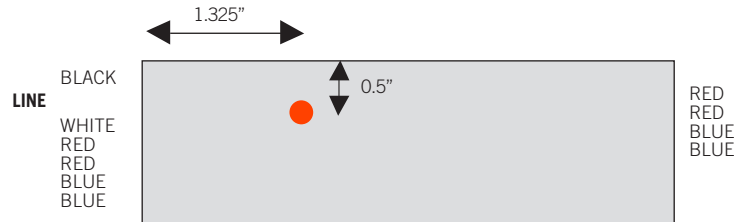
LENGTH: 6.46"
WIDTH: 1.86"
HEIGHT: 0.94"
MOUNTING: 6.00"
UNIT WEIGHT: 1.00 lbs

STANDARD LEAD LENGTHS*

BLACK: 12.00"
WHITE: 12.00"
BLUE: 9.00" X 9.00" X 9.00" X 9.00"
RED: 9.00" X 9.00" X 9.00" X 9.00"

*Consult Keystone for special lead length requirements.

HOT SPOT LOCATION



ORDERING INFORMATION

ORDER CODE	PACKAGING STYLE	PACK QTY.	ITEM STATUS
KTEB-226-1-TP		1	Special Order

CATALOG NUMBER BREAKDOWN

KTEB-226-1-TP

Keystone Technologies
Electronic Ballast
2
Lamps
26
Watts
120V
Input
Thermally
Protected