



PRODUCT FEATURES

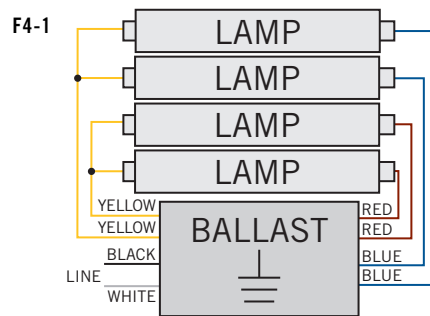
STARTING METHOD: Instant	INPUT VOLTAGE: 120VAC ±10%	WARRANTY: 3 Years
LAMP CONNECTION: Parallel	INPUT FREQUENCY: 60/50 Hz	POWER FACTOR: Normal

- Sound Rated: A
- Minimum Starting Temperature: 0°F, -18°C
- Maximum Case Temperature: 167°F, 75°C
- Meets FCC Part 18 (Class B) Consumer Limits
- OCV: 600V

ELECTRICAL SPECIFICATIONS

LAMP TYPE	NO. OF LAMPS	INPUT VOLTS	INPUT WATTS	INPUT CURRENT (AMPS)	POWER FACTOR	CREST FACTOR	BALLAST FACTOR	BALLAST EFFICACY FACTOR	MAX THD%	MIN. STARTING TEMPERATURE
F32T8 32W	4	120	99	1.37	0.60	<1.80	0.79	0.80	120	0°F/-18°C
	3	120	84	1.18	0.59	<1.80	0.85	1.01	130	0°F/-18°C
F32T8 30W	4	120	95	1.29	0.61	<1.80	0.77	0.81	130	14°F/-10°C
	3	120	78	1.11	0.58	<1.80	0.84	1.08	130	14°F/-10°C
F32T8 28W	4	120	93	1.29	0.60	<1.80	0.81	0.87	130	14°F/-10°C
	3	120	77	1.10	0.58	<1.80	0.88	1.14	130	14°F/-10°C
F32T8 25W	4	120	86	1.21	0.59	<1.80	0.83	0.97	140	14°F/-10°C
	3	120	70	1.02	0.57	<1.80	0.90	1.29	140	14°F/-10°C
F25T8	4	120	78	1.09	0.59	<1.80	0.79	1.01	130	0°F/-18°C
	3	120	64	0.93	0.57	<1.80	0.84	1.31	130	0°F/-18°C
F17T8	4	120	57	0.84	0.56	<1.80	0.83	1.46	140	0°F/-18°C
	3	120	47	0.72	0.54	<1.80	0.87	1.85	150	0°F/-18°C
F40T8	3	120	99	1.33	0.62	<1.80	0.73	0.74	150	32°F/0°C

WIRING DIAGRAMS



Instant Start T8 ballasts require the use of Shunted lampholders/ sockets.

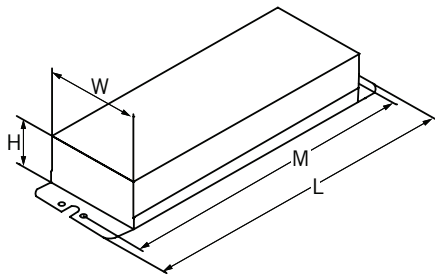
CAP OFF 1 BLUE LEAD FOR 3 LAMP APPLICATION



KTEB-432RIS-1-TP-SL

T8 ELECTRONIC FLUORESCENT

CASE STYLE/DIMENSIONS



CASE DIMENSIONS

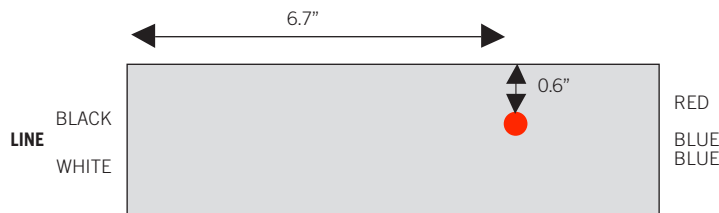
LENGTH: 9.50"
WIDTH: 1.38"
HEIGHT: 1.18"
MOUNTING: 8.90"
UNIT WEIGHT: 1.30 lbs

STANDARD LEAD LENGTHS*

BLACK: 24.00"
WHITE: 24.00"
BLUE: 31.00" X 31.00"
RED: 31.00" X 31.00"
YELLOW: 39.00" X 39.00"

*Consult Keystone for special lead length requirements.

HOT SPOT LOCATION



ORDERING INFORMATION

ORDER CODE	PACKAGING STYLE	PACK QTY.	ITEM STATUS
KTEB-432RIS-1-TP-SL-CP	Carton	50	Quick Ship

CATALOG NUMBER BREAKDOWN

KTEB-432RIS-1-TP-SL

