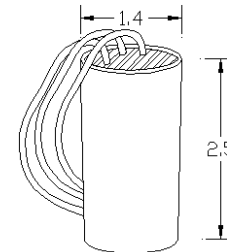
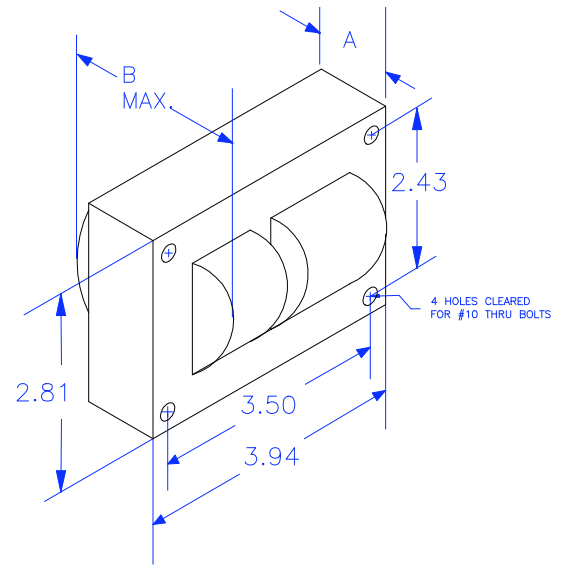
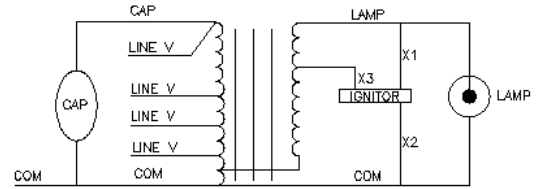




<b>Input Volts</b>		120	208	240	277
<b>Circuit Type</b>	HX-HPF				
<b>Power Factor</b>	>0.90 w/ Cap				
<b>Regulation</b>					
Line Volts	± 5 %				
Lamp Watts	-10 % + 10 %				
<b>Line Current (Amps)</b>					
Operating		1.15	0.66	0.58	0.50
Open Circuit		2.76	1.43	1.38	1.19
Starting		0.91	0.39	0.52	0.38
Recommended Fuse		6	4	3	3
<b>UL Temperature Ratings</b>					
Insulation Class	H (180°C)				
Coil Temperature Code		B	B	B	B
Benchtop Coil Rise Primary		< 80	< 80	< 80	< 80
Benchtop Coil Rise Secondary		< 80	< 80	< 80	< 80
<b>Input Watts</b>		129	129	129	129
<b>NOM Open Circuit Volts</b>	270				
<b>Current Crest Factor</b>	1.57				
<b>Input Voltage at Lamp Dropout</b>		78	135	156	180
<b>Min Ambient Starting Temp.</b>	-20F -30°C				
<b>High Potential Test (Volts)</b>					
1 Minute	1650				
1 Second	2000				
<b>Open Circuit Voltage Test (Volts)</b>					
Open Circuit Voltage	240 - 300				
Input Current		min	2.00	1.10	0.95
		max	3.00	1.75	1.50
<b>Short Circuit Current Test (Amps)</b>					
Secondary Current	1.3 - 1.8				
Input Current		min	1.00	0.60	0.50
		max	1.70	1.00	0.80
<b>Core and Coil Specifications</b>					
Dimension A"	1.50				
Dimension B"	2.90				
Weight (lbs.)	5.5				
Lead Lengths (in)	12				
<b>Capacitor Specifications</b>					
Microfarads	12				
Volts (min.)	280				
	<b>Oval OIL Filled</b>	<b>DRY Film</b>			
Case Size (in.)	1.25	1.5			
Height ( in.)	3.13	2.75			
Temp Rating °C	90	100			
<b>Starter Specifications</b>					
Model Number	ST1001				
BTL	20				
Temp Rating °C	105				

Wiring Diagram



Starter Case Drawing

1090-912001-001

Rev. Date: 1/30/2009

Test Ref.: Verification

Specifications subject to change without notice.

Howard Industries, Inc. Ballast Products Division P.O. Box 1590 Laurel, MS 39441  
Phone: 1-800-956-3456 Fax: (601) 422-1652 www.howard-ballast.com