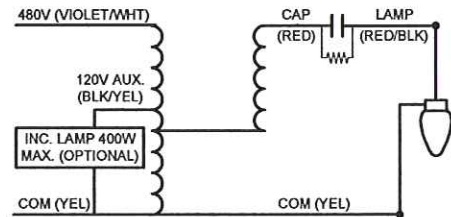
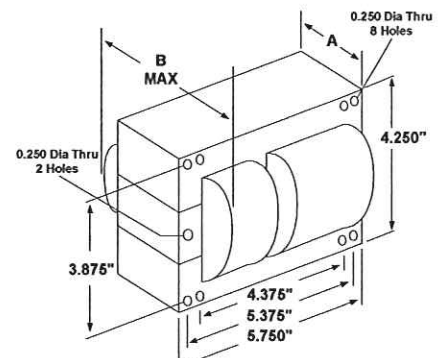


## Specification Sheet

<b>Input Volts</b>	480				
<b>Regulation</b>					
Line Volts	±10%				
Lamp Watts	±10%				
Power Factor (min)	90%				
Input Watts	1620 W				
NOM. Open Circuit Voltage	445 V				
<b>Line Current (Amps)</b>					
Operating	3.5				
Open Circuit	2.30				
Starting	2.00				
Recommended Fuse (Amps)	10				
Lamp Dropout Voltage (Line)	300 V				
<b>UL Temperature Ratings</b>					
Insulation Class	H (180°C)				
Temperature Code	E				
MIN. Starting Temperature	-22°F -30°C				
<b>CAPACITOR Specifications</b>					
Microfarads	32 uf				
Volts (min.)	525 V				
<b>60Hz Test Procedures</b>					
High Potential Test 1 Minute	2000 V				
High Potential Test 1 Second	2500 V				
Secondary Open Ckt Voltage (V)	400 - 500				
Secondary Current Shorted (A)	7.35 - 9.00				
Input Operating Current (A)	3.15 - 4.00				
Input Open Circuit Current (A)	1.15 - 3.25				
Input Short Circuit Current (A)	1.10 - 2.00				
<b>Core and Coil Specifications</b>					
Dimension A	4.40 in				
Dimension B	6.40 in				
Weight	30 lbs				
Lead Lengths (inches)	12-14				
Coil Material (Pri. / Sec.):	Cu / Cu				



Wiring Diagram

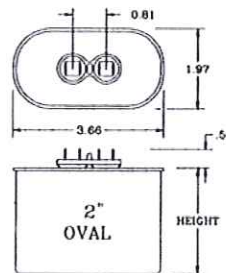


Reference Drawing

Capacitor: 005-1474-MF

Ignitor: None

Temp Rating: 90 °C  
Height: 3.88 in  
Width / Diameter: 3.66 in



This Ballast does not require a Ignitor

For alternate capacitor construction consult sales

Data is based upon tests performed by Universal Lighting Technologies in a controlled environment and is representative of relative performance. Actual performance may vary depending on operating conditions. Specifications are subject to change without notice.

**Universal Lighting Technologies**

26 Century Blvd. Suite 500 - Nashville, TN 37214

Phone 1-800-225-5278 Fax 1-800-206-0035

www.unvlt.com